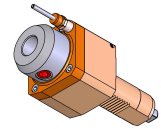


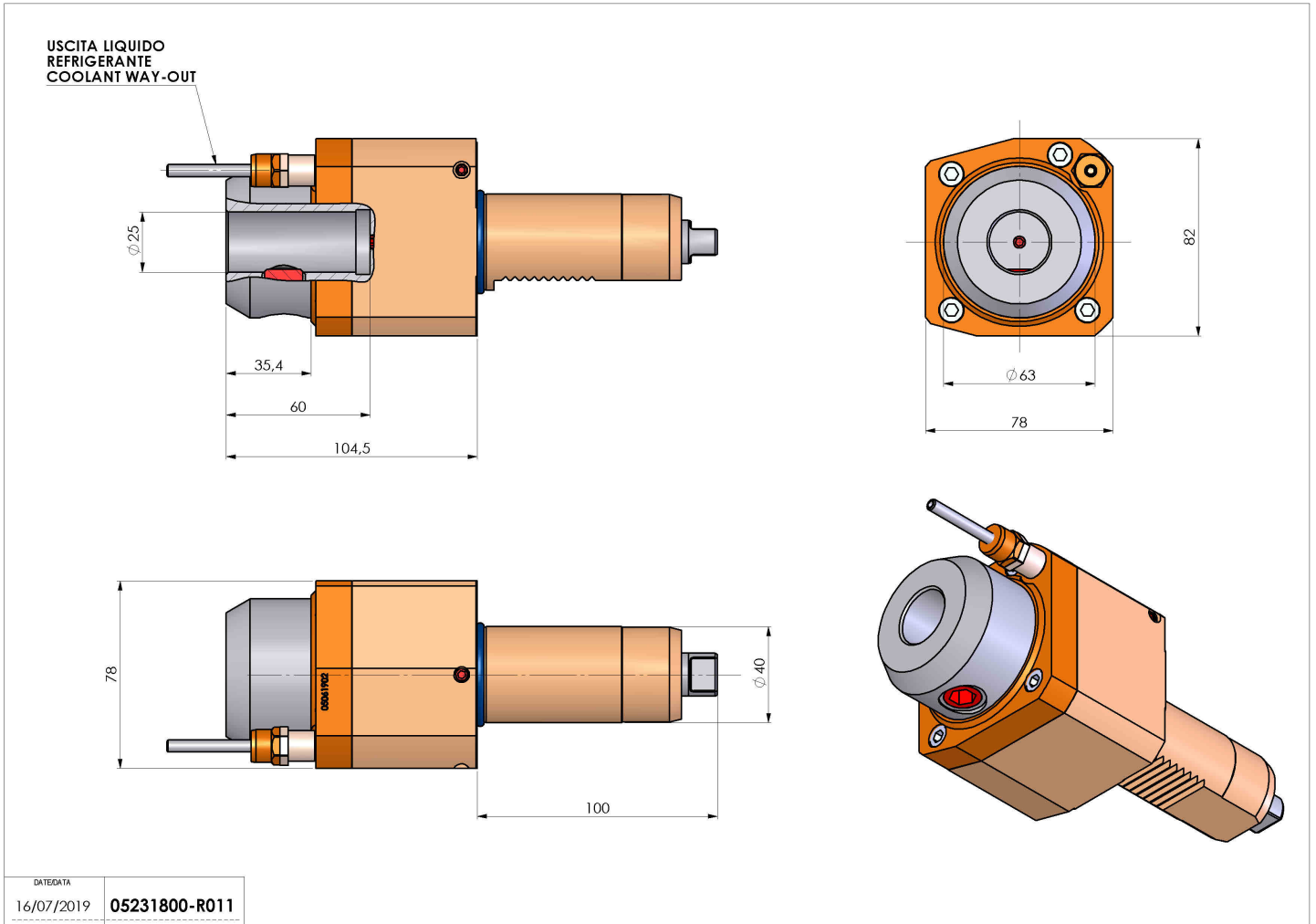
## 05231800 - LT-S VDI40 WELDON25 H105 EM

<b>Type</b>	LT-S Tool holder straight
<b>Mounting</b>	VDI 40
<b>Tool output</b>	Weldon 25 DIN1835B
<b>Coolant</b>	External coolant
<b>Direction of rotation</b>	r1  r2
<b>Max speed [rpm]</b>	6000
<b>Max torque [Nm]</b>	63
<b>Ratio</b>	1:1
<b>H [mm]</b>	105
<b>Accessories</b>	N.A.
<b>Notes</b>	N.A.
<b>Mounting tips</b>	N.A.



**ATTENTION: CHECK THE ORIENTATION OF THE VDI TEETH**

Always check live tool dimensions on the turret



DATE/DATE	16/07/2019
PART NUMBER	05231800-R011

**Subject to technical changes**