

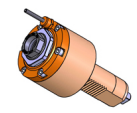


05231600 - LT-S VDI40 ER32F H74 EM

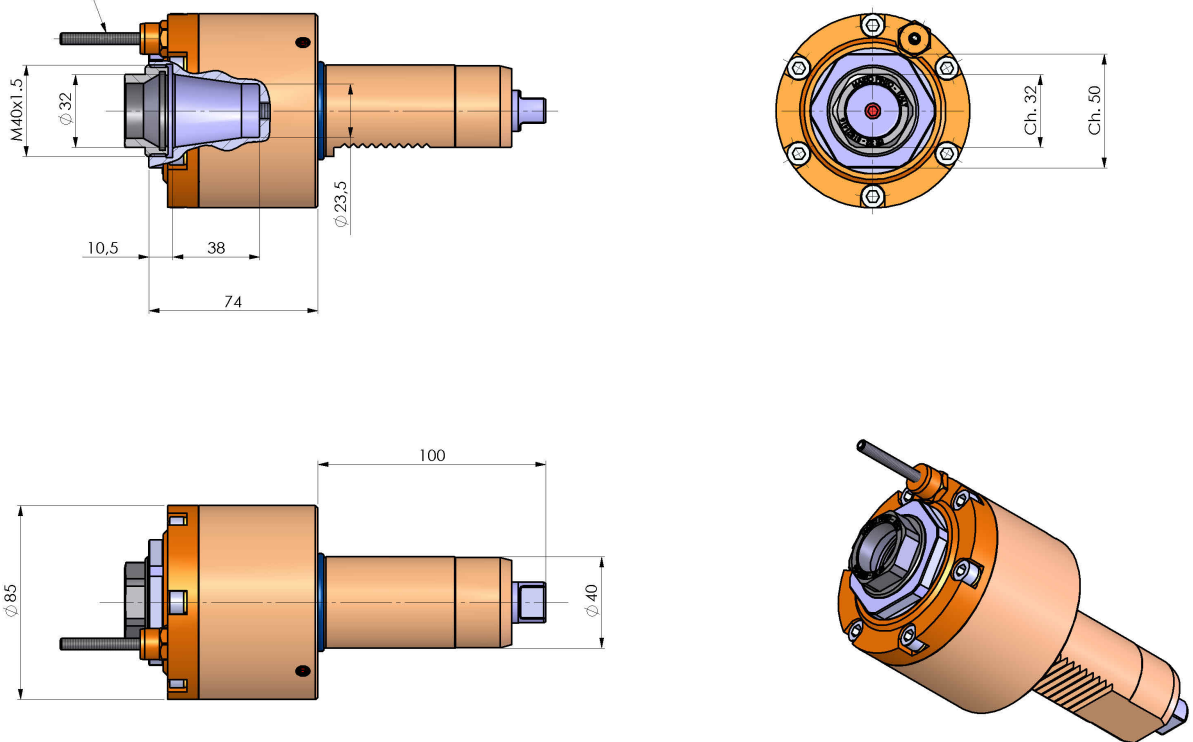
Type	LT-S Tool holder straight
Mounting	VDI 40
Tool output	Collet nut ER 32 F - internal nut
Coolant	External coolant
Direction of rotation	r1  r2 
Max speed [rpm]	6000
Max torque [Nm]	63
Ratio	1:1
H [mm]	74
Accessories	
Notes	N.A.
Mounting tips	N.A.



ATTENTION: CHECK THE ORIENTATION OF THE VDI TEETH

Always check live tool dimensions on the turret

USCITA LIQUIDO
REFRIGERANTE
COOLANT WAY-OUT



DATE/DATE: 23/10/2015 **05231600-R011**

Subject to technical changes