

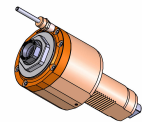


05230200 - LT-S VDI50 ER32F H95

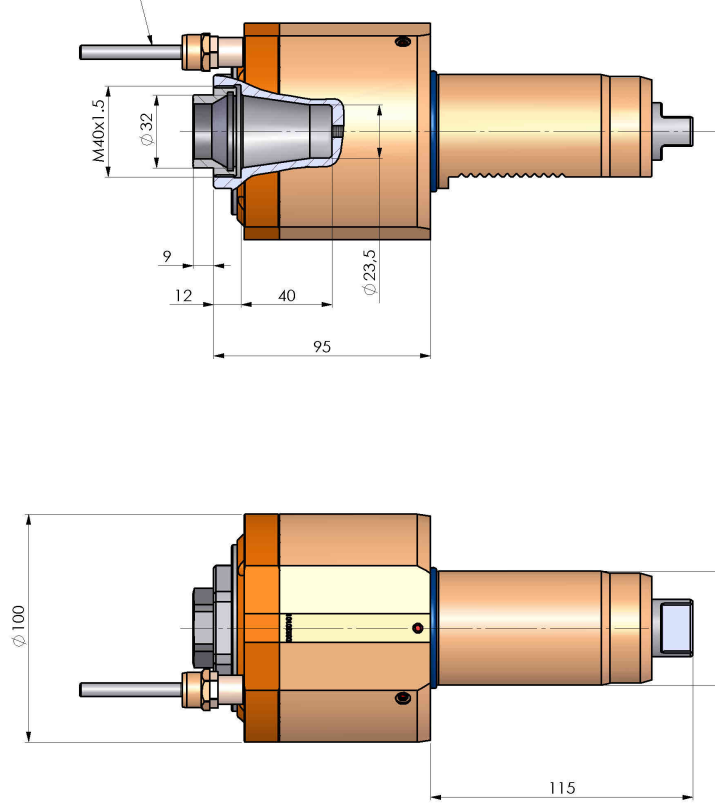
Type	LT-S Tool holder straight
Mounting	VDI 50
Tool output	Collet nut ER 32 F - internal nut
Coolant	External coolant
Direction of rotation	r1  r2 
Max speed [rpm]	6000
Max torque [Nm]	100
Ratio	1:1
H [mm]	95
Accessories	N.A.
Notes	N.A.
Mounting tips	N.A.



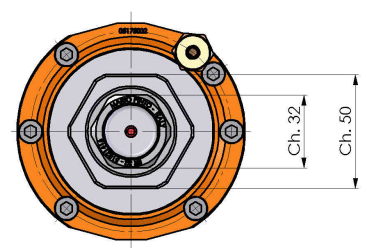
ATTENTION: CHECK THE ORIENTATION OF THE VDI TEETH

Always check live tool dimensions on the turret

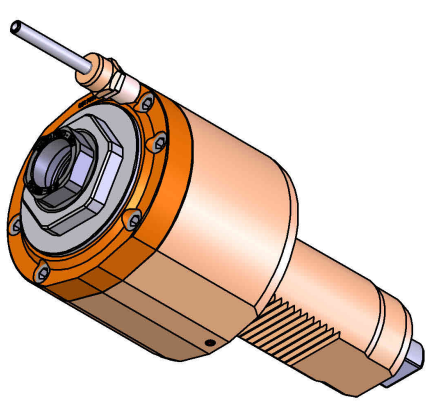
USCITA LIQUIDO
REFRIGERANTE
COOLANT WAY-OUT



Dimensions shown:
 - Coolant outlet: M40x1.5
 - Front diameter: $\varnothing 32$
 - Front offset: 9
 - Front offset: 12
 - Front offset: 40
 - Front diameter: $\varnothing 23.5$
 - Total length: 95
 - Side diameter: $\varnothing 100$
 - Side diameter: $\varnothing 50$
 - Total length: 115



Dimensions shown:
 - Top diameter: Ch. 32
 - Top diameter: Ch. 50



DATE/DATE
28/02/2017 05230200-R011

Subject to technical changes