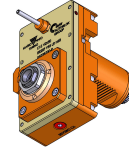


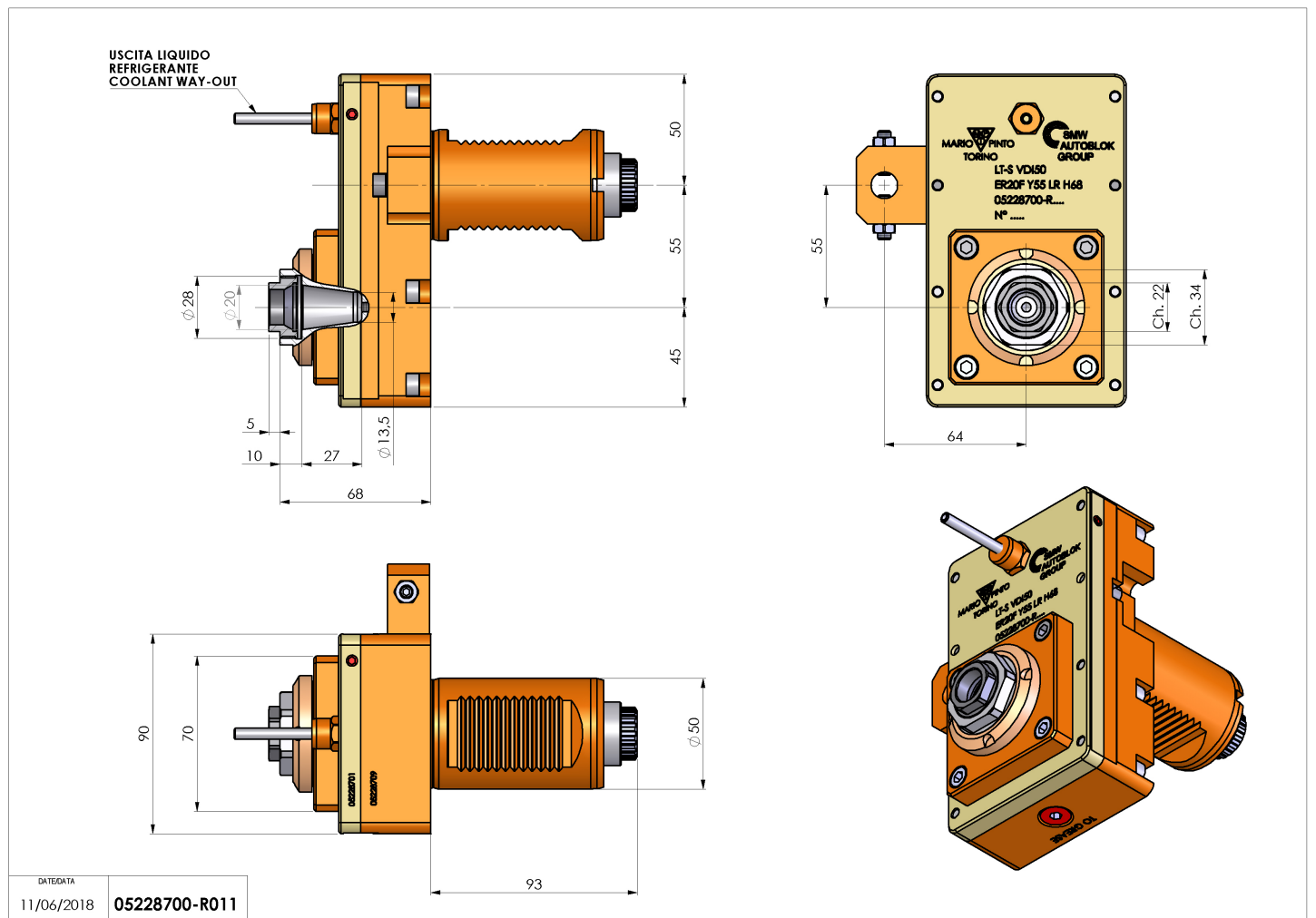
05228700 - LT-S VDI50 ER20F Y55 LR H68

Type	LT-S OFS Tool holder straight offset
Mounting	VDI 50
Tool output	Collet nut ER 20 F - internal nut
Coolant	External coolant
Offset [mm]	55
Direction of rotation	r1 ↻ r2 ↻
Max speed [rpm]	6000
Max torque [Nm]	80
Ratio	1:1
H [mm]	68
Accessories	N.A.
Notes	N.A.
Mounting tips	90° assembly on Y axis



ATTENTION: CHECK THE ORIENTATION OF THE VDI TEETH

Always check live tool dimensions on the turret



DATE/DATA
11/06/2018 **05228700-R011**

Subject to technical changes