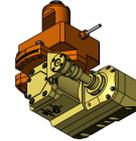


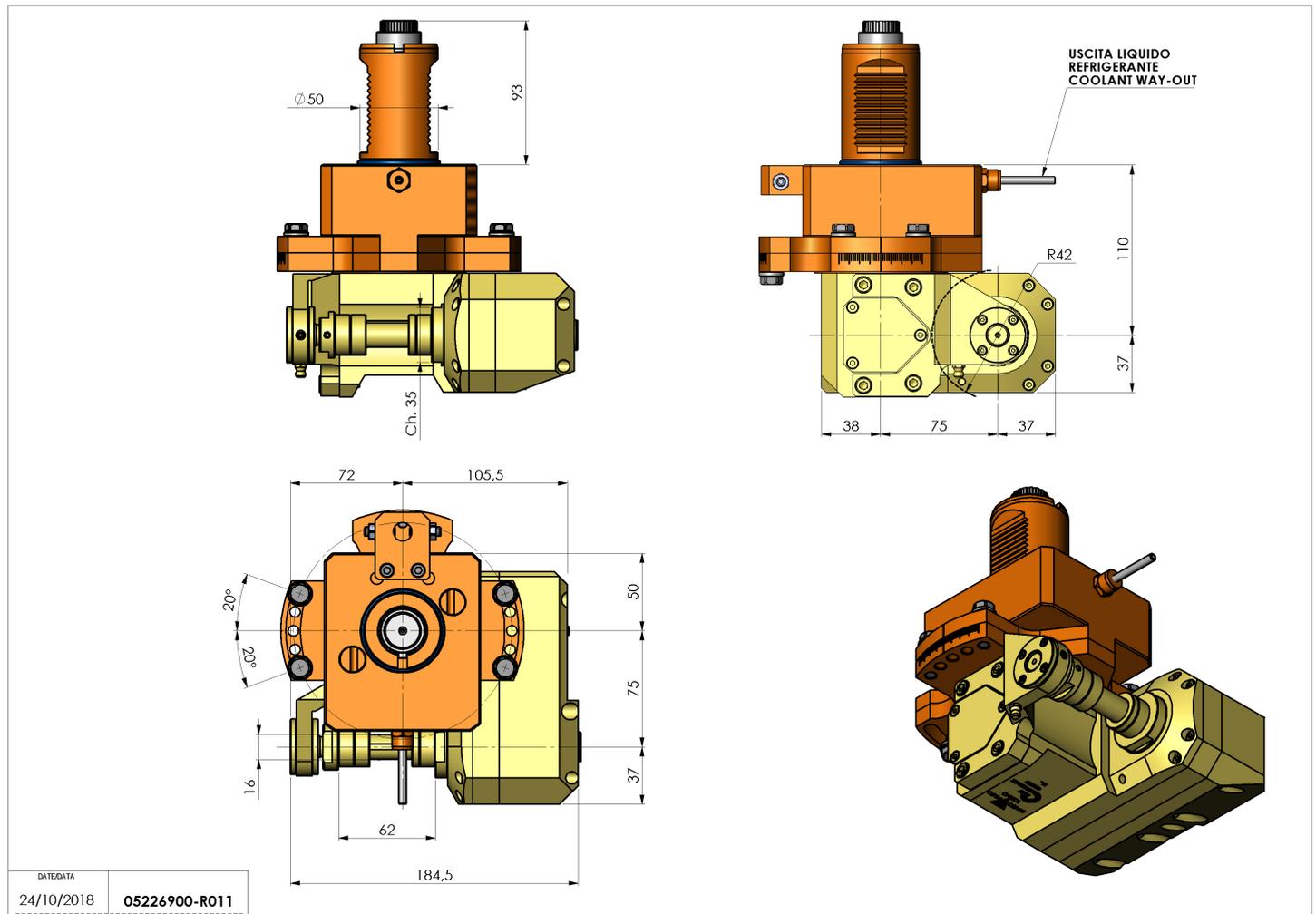
05226900 - LT-HOB-SAW VDI50 L60 1:1 H110

Type	LT-HOB-SAW Hobbing/tool holder saw
Mounting	VDI 50
Tool output	Shank kit Ø16-Ø22-Ø27
Coolant	External coolant
Max speed [rpm]	6000
Max torque [Nm]	60
Ratio	1:1
H [mm]	110
H1 [mm]	40
Accessories	N.A.
Notes	N.A.
Mounting tips	N.A.



ATTENTION: CHECK THE ORIENTATION OF THE VDI TEETH

Always check live tool dimensions on the turret



DATE/DATA	
24/10/2018	05226900-R011

Subject to technical changes