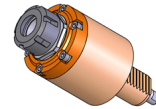


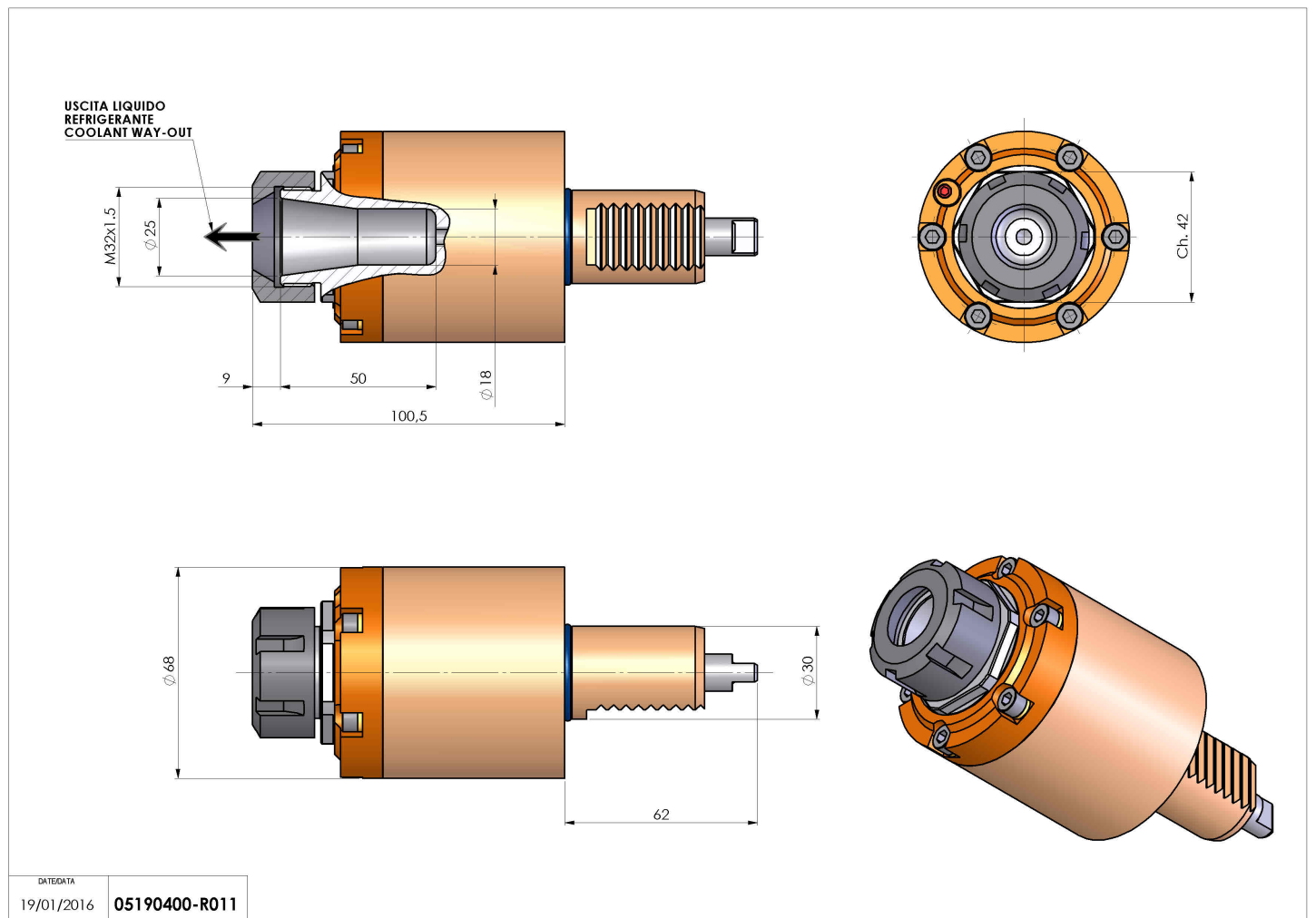
## 05190400 - LT-S VDI30 ER25 H100RF 1809 DP

|                       |                              |
|-----------------------|------------------------------|
| Type                  | LT-S<br>Tool holder straight |
| Mounting              | VDI 30                       |
| Tool output           | Collet nut ER 25             |
| Coolant               | Internal coolant             |
| Direction of rotation | r1 ↻ r2 ↻                    |
| Max speed [rpm]       | 6000                         |
| Max torque [Nm]       | 40                           |
| Ratio                 | 1:1                          |
| H [mm]                | 100,5                        |
| Max pressure [bar]    | 20                           |
| Accessories           |                              |
| Notes                 | N.A.                         |
| Mounting tips         | N.A.                         |



**ATTENTION: CHECK THE ORIENTATION OF THE VDI TEETH**

Always check live tool dimensions on the turret



Subject to technical changes