
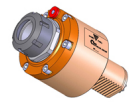


# 05180300 - LT-S VDI40 ER32 RFH99 DIN5482

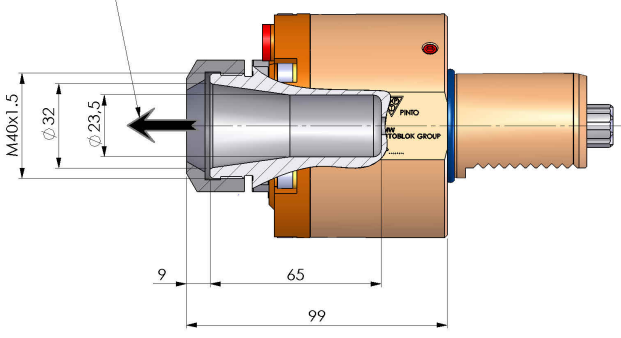
<b>Type</b>	LT-S Tool holder straight
<b>Mounting</b>	VDI 40
<b>Tool output</b>	Collet nut ER 32
<b>Coolant</b>	Internal coolant
<b>Direction of rotation</b>	r1  r2 
<b>Max speed [rpm]</b>	6000
<b>Max torque [Nm]</b>	63
<b>Ratio</b>	1:1
<b>H [mm]</b>	99
<b>Max pressure [bar]</b>	20
<b>Accessories</b>	
<b>Notes</b>	N.A.
<b>Mounting tips</b>	N.A.

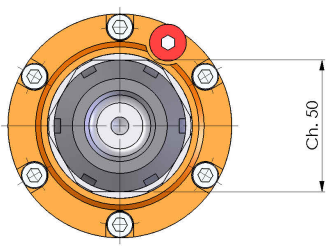


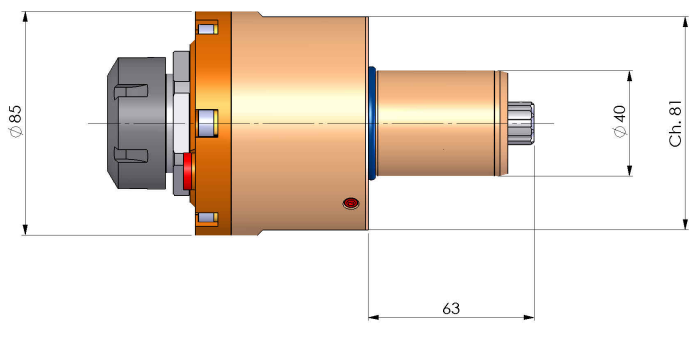
**ATTENTION: CHECK THE ORIENTATION OF THE VDI TEETH**

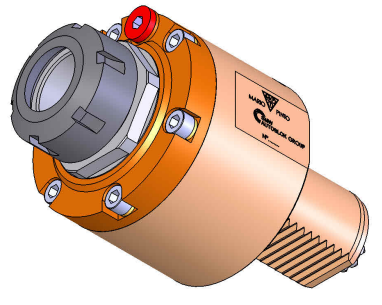
Always check live tool dimensions on the turret

USCITA LIQUIDO  
REFRIGERANTE  
COOLANT WAY-OUT









DATE/GRA	03/11/2015	<b>05180300-R011</b>
----------	------------	----------------------

**Subject to technical changes**