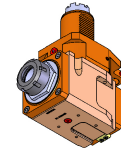


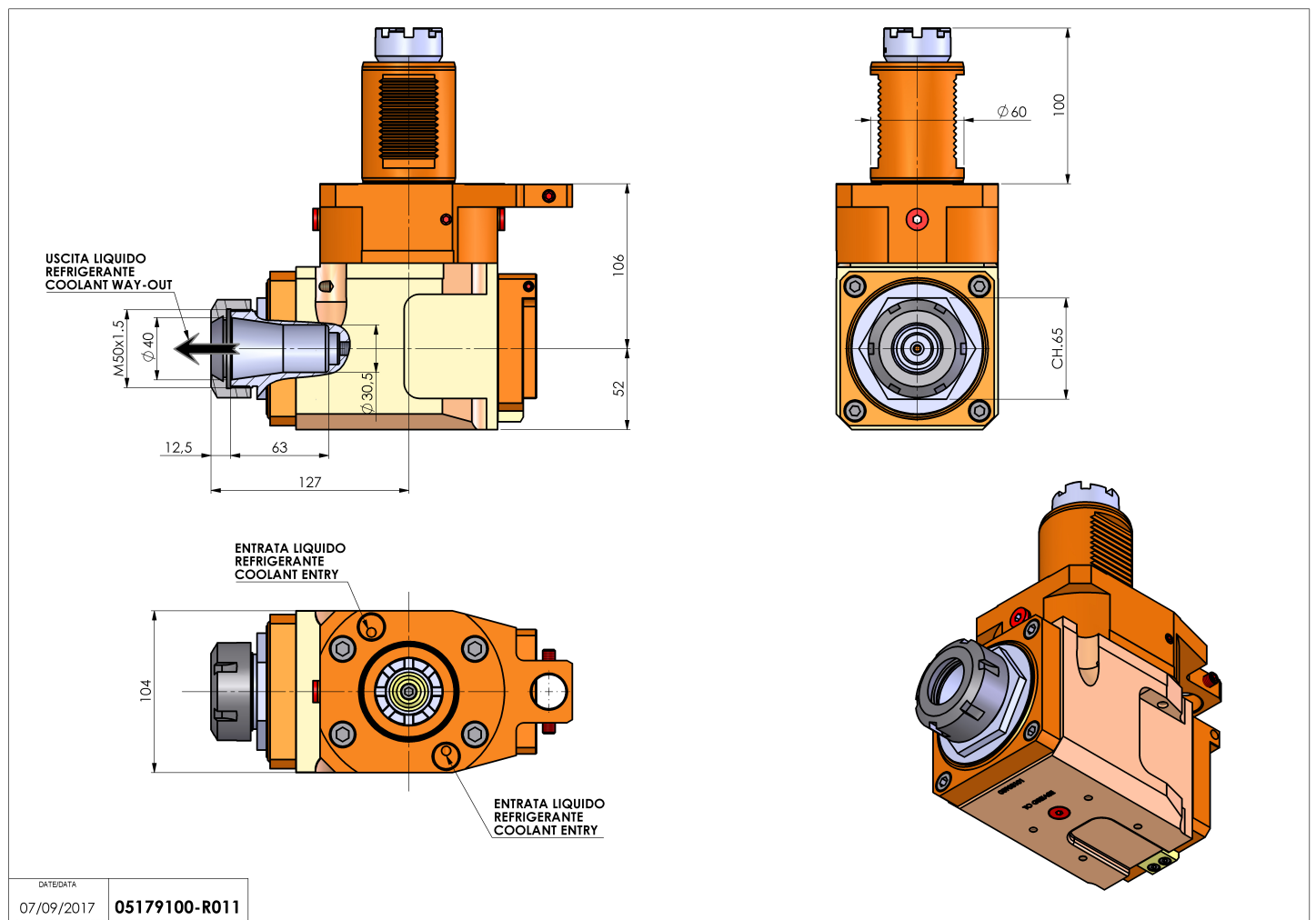
05179100 - LT-A VDI60 ER40 LR HRF H106

Type	LT-A Tool holder angle 90°
Mounting	VDI 60
Tool output	Collet nut ER 40
Coolant	HRF Internal coolant
Direction of rotation	r1 ↻ r2 ↻
Max speed [rpm]	4000
Max torque [Nm]	120
Ratio	1:1
H [mm]	106
H1 [mm]	52
Max pressure [bar]	80
Accessories	N.A.
Notes	N.A.
Mounting tips	N.A.



ATTENTION: CHECK THE ORIENTATION OF THE VDI TEETH

Always check live tool dimensions on the turret



DATE/DATA: 07/09/2017
05179100-R011

Subject to technical changes