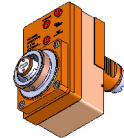


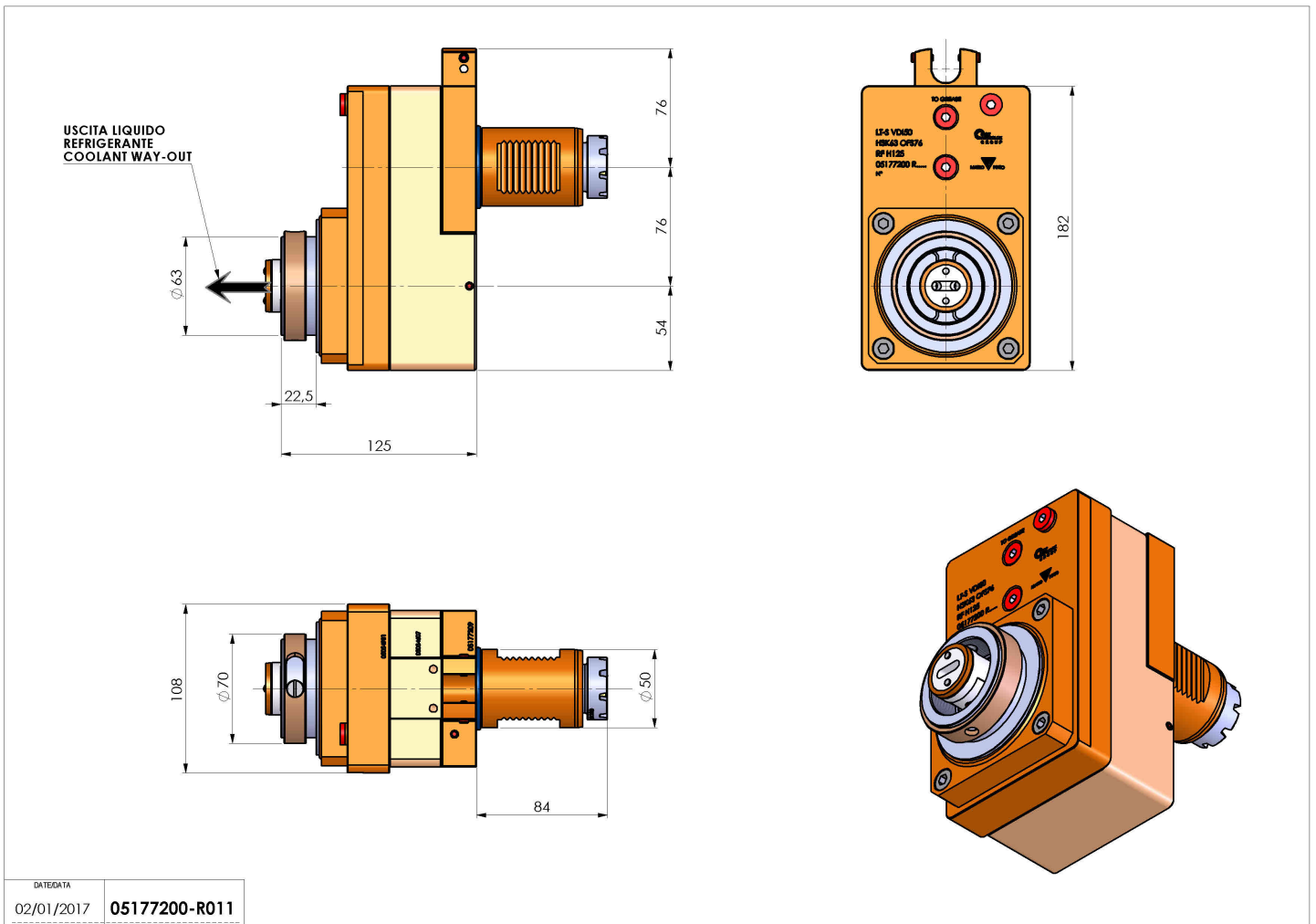
# 05177200 - LT-S VDI50 HSK63 OFS76 RF H125

Type	LT-S OFS Tool holder straight offset
Mounting	VDI 50
Tool output	Quick Change HSK63
Coolant	Internal coolant
Direction of rotation	r1 ↻ r2 ↻
Max speed [rpm]	6000
Max torque [Nm]	80
Ratio	1:1
H [mm]	125
Max pressure [bar]	20
Accessories	N.A.
Notes	N.A.
Mounting tips	N.A.



**ATTENTION: CHECK THE ORIENTATION OF THE VDI TEETH**

Always check live tool dimensions on the turret



DATE/DATE	02/01/2017	05177200-R011
-----------	------------	---------------

Subject to technical changes