

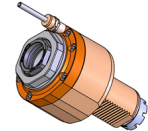


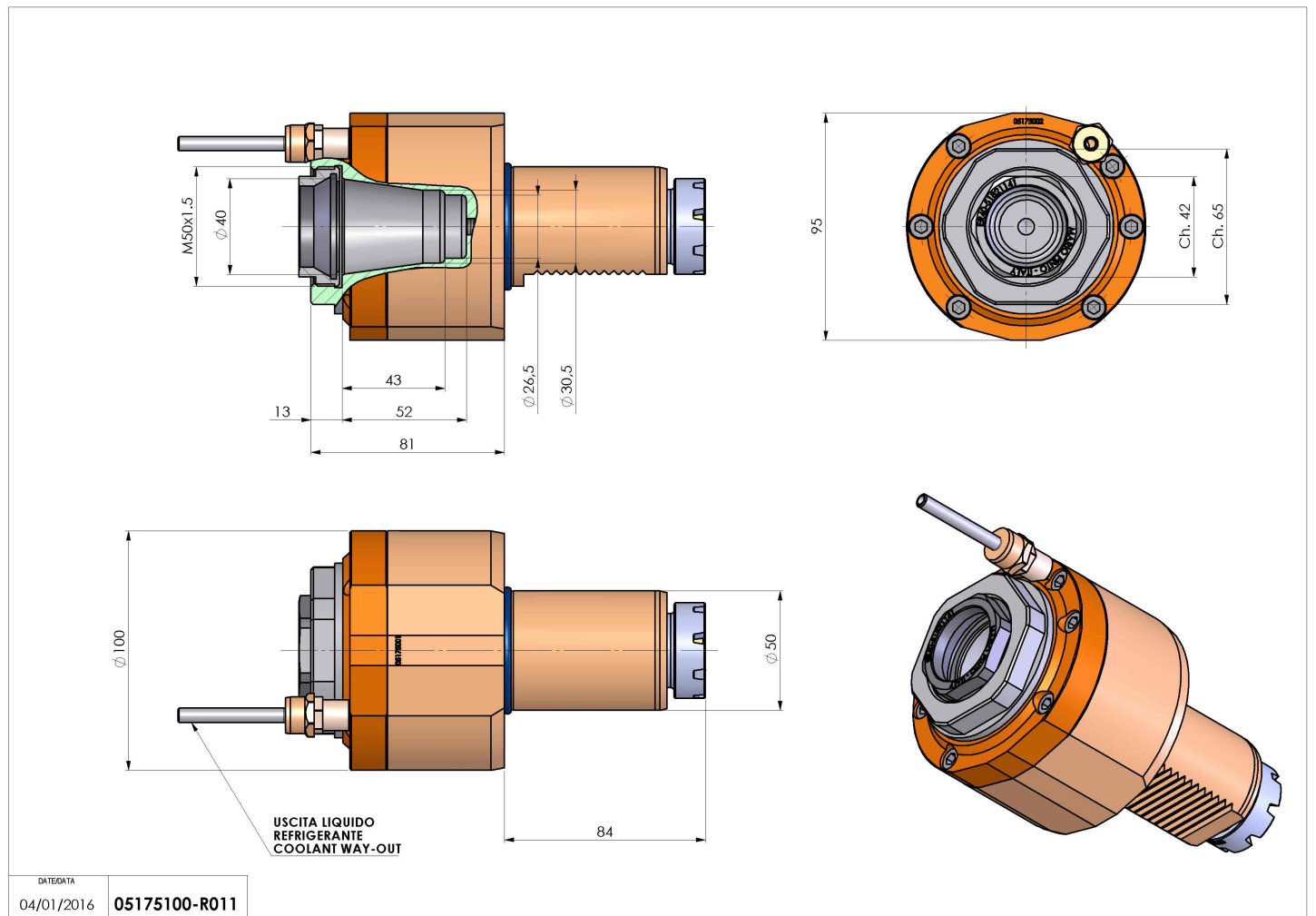
05175100 - LT-S VDI50 ER40F H81 BA

| | |
|------------------------------|---|
| Type | LT-S Tool holder straight |
| Mounting | VDI 50 |
| Tool output | Collet nut ER 40 F - internal nut |
| Coolant | External coolant |
| Direction of rotation | r1  r2  |
| Max speed [rpm] | 6000 |
| Max torque [Nm] | 120 |
| Ratio | 1:1 |
| H [mm] | 81 |
| Accessories | |
| Notes | N.A. |
| Mounting tips | N.A. |



ATTENTION: CHECK THE ORIENTATION OF THE VDI TEETH

Always check live tool dimensions on the turret



DATE/DATE
04/01/2016 **05175100-R011**

Subject to technical changes