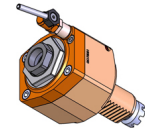


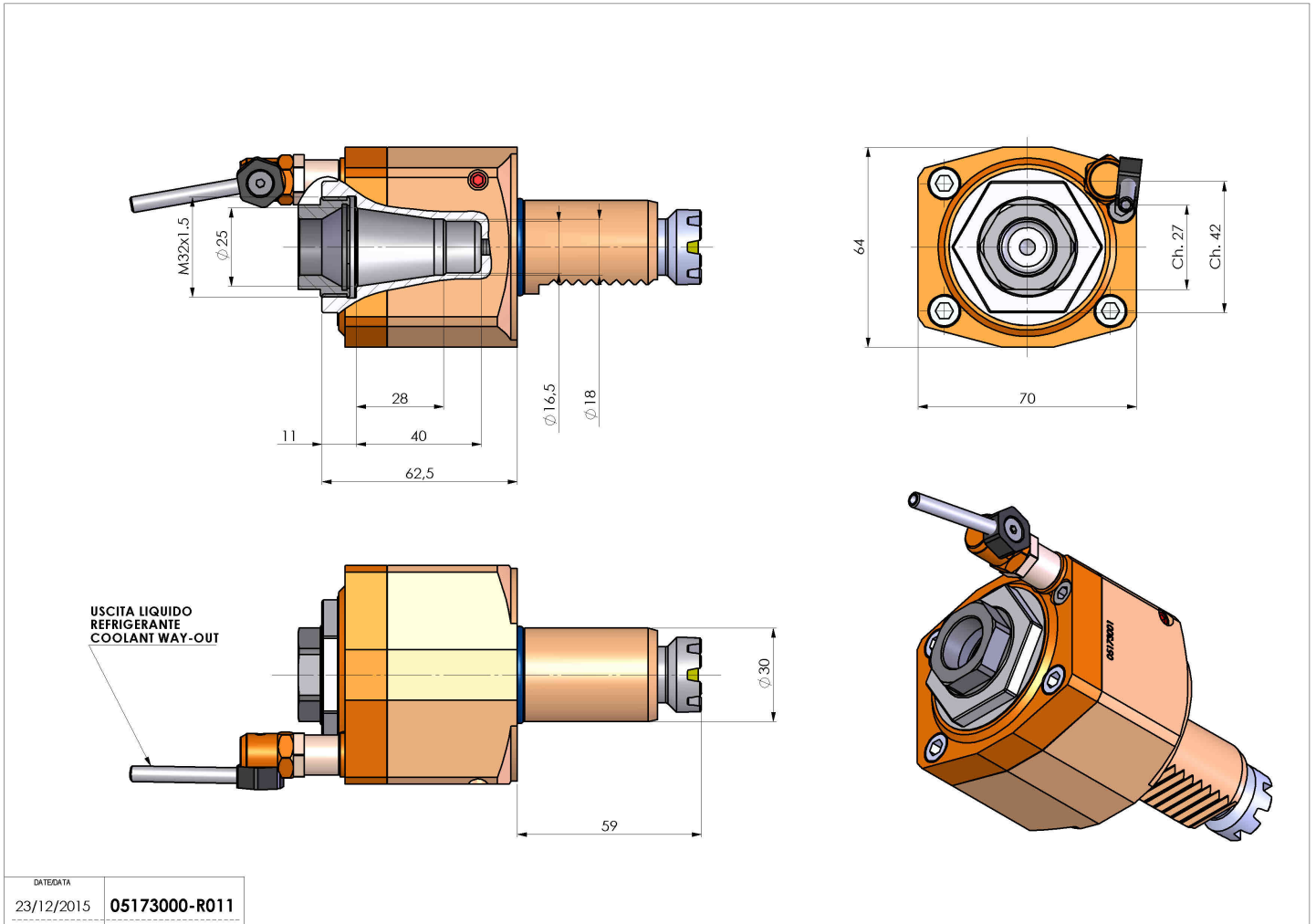
05173000 - LT-S VDI30 ER25-F H62 BA

Type	LT-S Tool holder straight
Mounting	VDI 30
Tool output	Collet nut ER 25 F - internal nut
Coolant	External coolant
Direction of rotation	r1 ↻ r2 ↻
Max speed [rpm]	6000
Max torque [Nm]	30
Ratio	1:1
H [mm]	62.5
Accessories	
Notes	Cannot be mounted near an offset angular
Mounting tips	Cannot be mounted near an angular offset



ATTENTION: CHECK THE ORIENTATION OF THE VDI TEETH

Always check live tool dimensions on the turret



DATE/DATE	23/12/2015	05173000-R011
-----------	------------	---------------

Subject to technical changes