

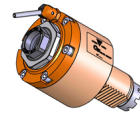


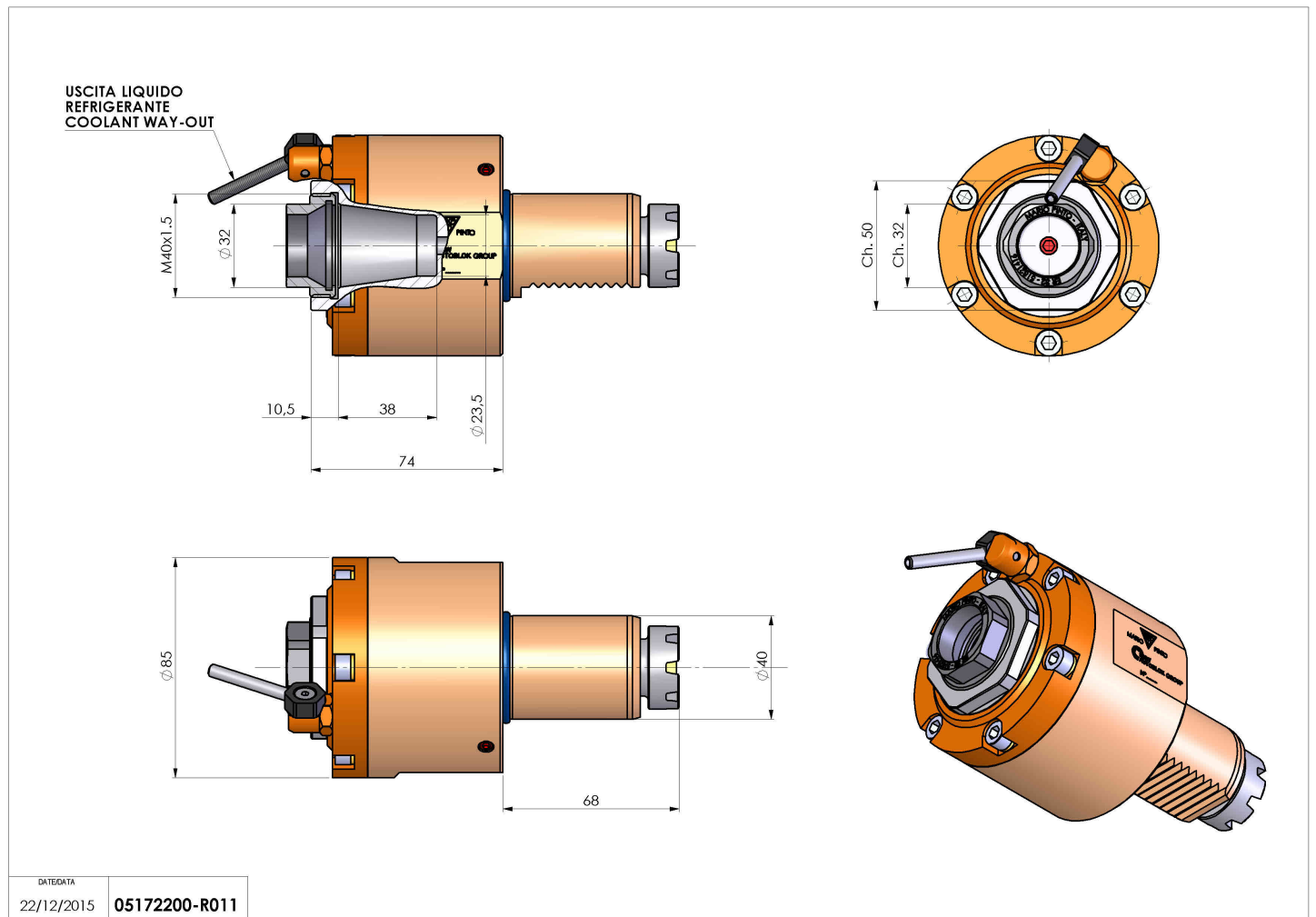
## 05172200 - LT-S VDI40 ER32F H74 BA

|                       |   |
|-----------------------|---|
| Type                  | LT-S<br>Tool holder straight  |
| Mounting              | VDI 40  |
| Tool output           | Collet nut ER 32 F - internal nut   |
| Coolant               | External coolant  |
| Direction of rotation | r1  r2  |
| Max speed [rpm]       | 6000  |
| Max torque [Nm]       | 63  |
| Ratio                 | 1:1   |
| H [mm]                | 74  |
| Accessories           |   |
| Notes                 | N.A.  |
| Mounting tips         | N.A.  |



**ATTENTION: CHECK THE ORIENTATION OF THE VDI TEETH**

Always check live tool dimensions on the turret



DATE/GATE  
22/12/2015 05172200-R011

Subject to technical changes