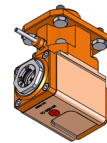
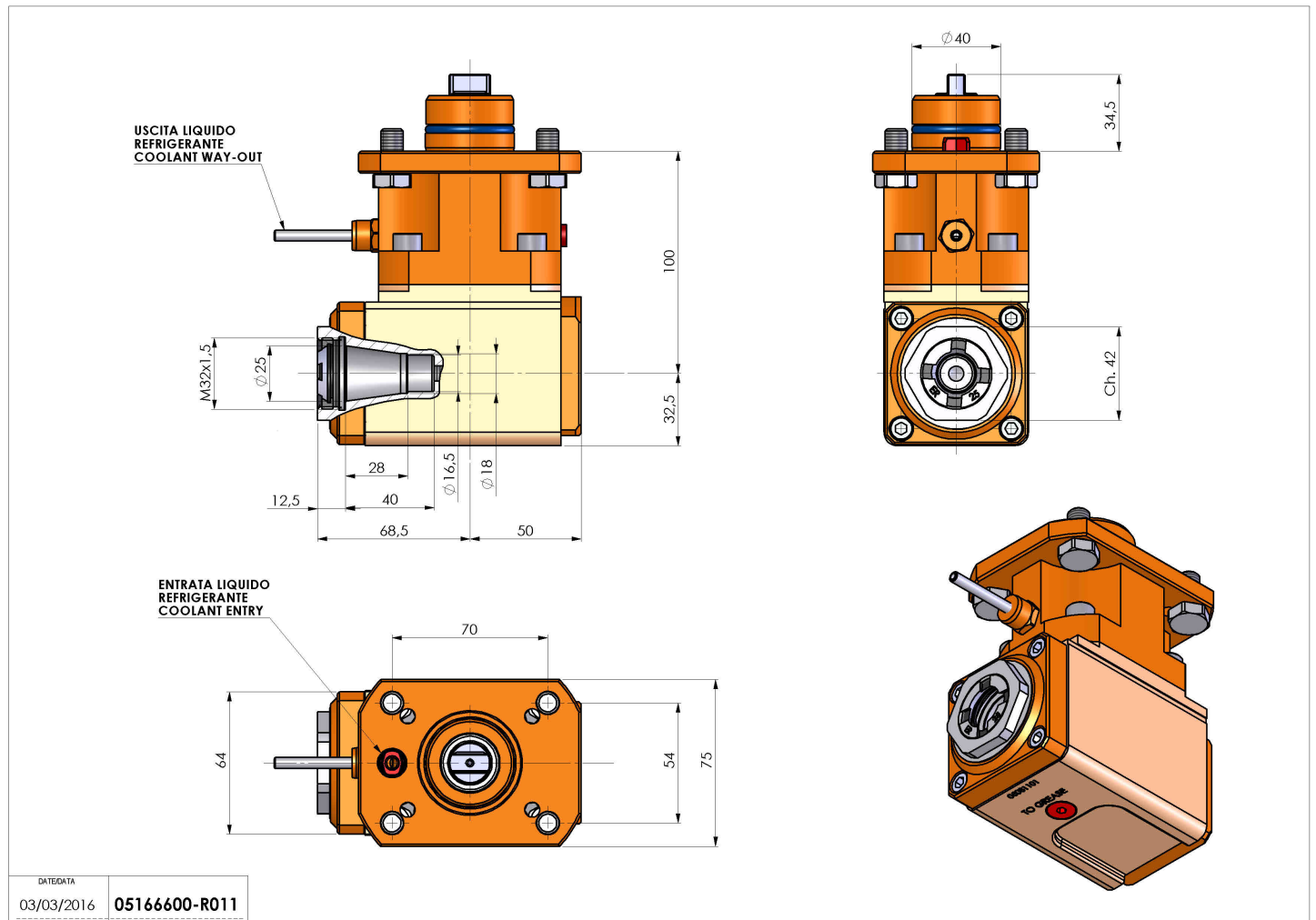


05166600 - LT-A D40 ER25F H100 MU

| | |
|-----------------------|-----------------------------------|
| Type | LT-A Tool holder angle 90° |
| Mounting | CYLINDRICAL SHANK 40 |
| Tool output | Collet nut ER 25 F - internal nut |
| Coolant | External coolant |
| Direction of rotation | r1 ↻ r2 ↻ |
| Max speed [rpm] | 6000 |
| Max torque [Nm] | 40 |
| Ratio | 1:1 |
| H [mm] | 100 |
| H1 [mm] | 32,5 |
| Accessories | N.A. |
| Notes | N.A. |
| Mounting tips | N.A. |



Always check live tool dimensions on the turret



| | |
|-----------|---------------|
| DATE/DATA | 03/03/2016 |
| | 05166600-R011 |

Subject to technical changes