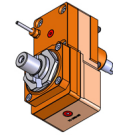
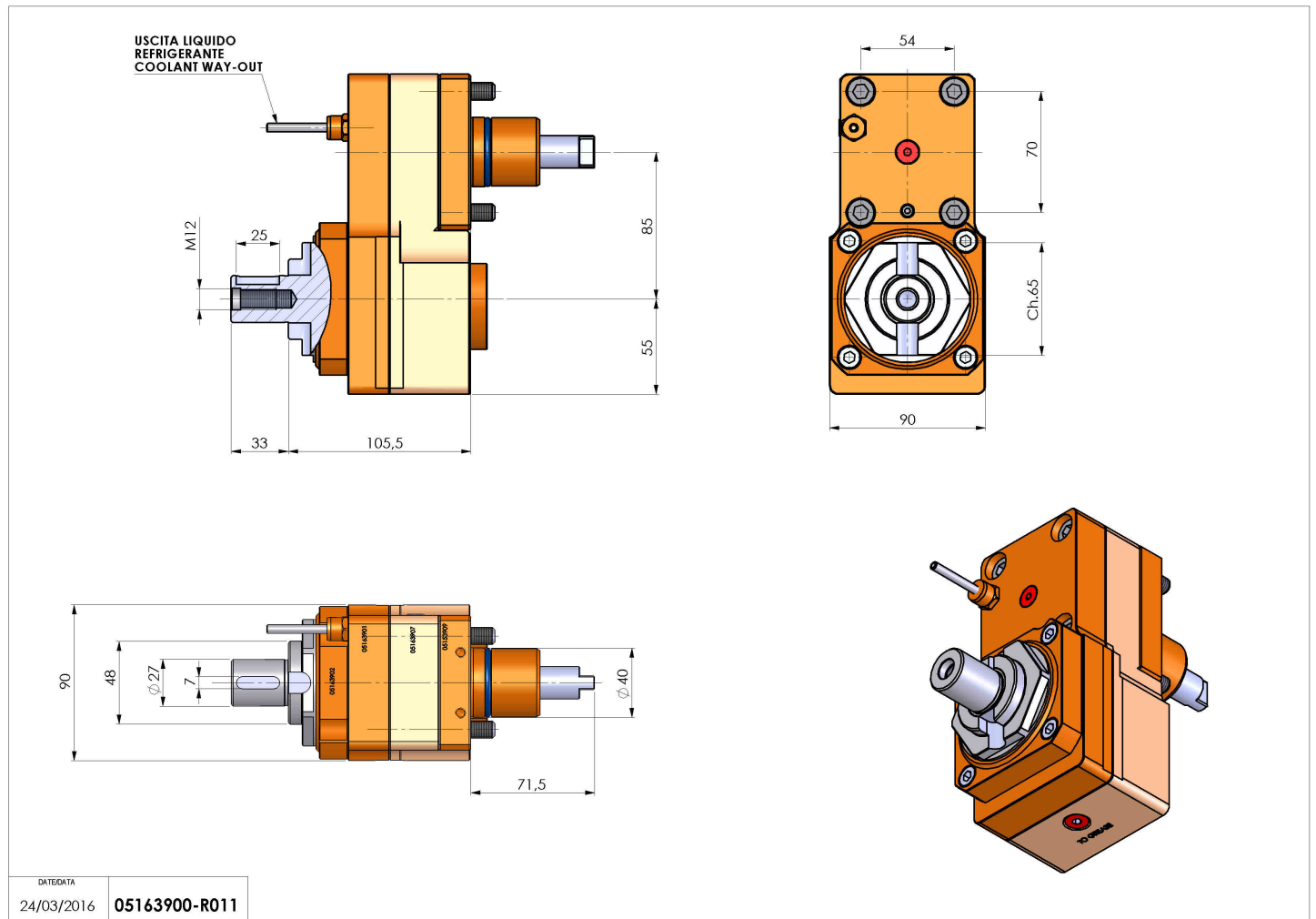


## 05163900 - LT-S D40 138-27OF85LR2:1H105MU

<b>Type</b>	LT-S OFS Tool holder straight offset
<b>Mounting</b>	CYLINDRICAL SHANK 40
<b>Tool output</b>	Shell-Mill DIN138 27
<b>Coolant</b>	External coolant
<b>Offset [mm]</b>	85
<b>Direction of rotation</b>	r1  r2
<b>Max speed [rpm]</b>	in 6000 / out 3000
<b>Max torque [Nm]</b>	in 50 / out 100
<b>Ratio</b>	2:1
<b>H [mm]</b>	105,5
<b>Accessories</b>	
<b>Notes</b>	N.A.
<b>Mounting tips</b>	N.A.



Always check live tool dimensions on the turret



DATE/DATE	
24/03/2016	<b>05163900-R011</b>

**Subject to technical changes**