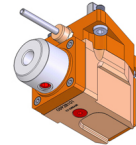
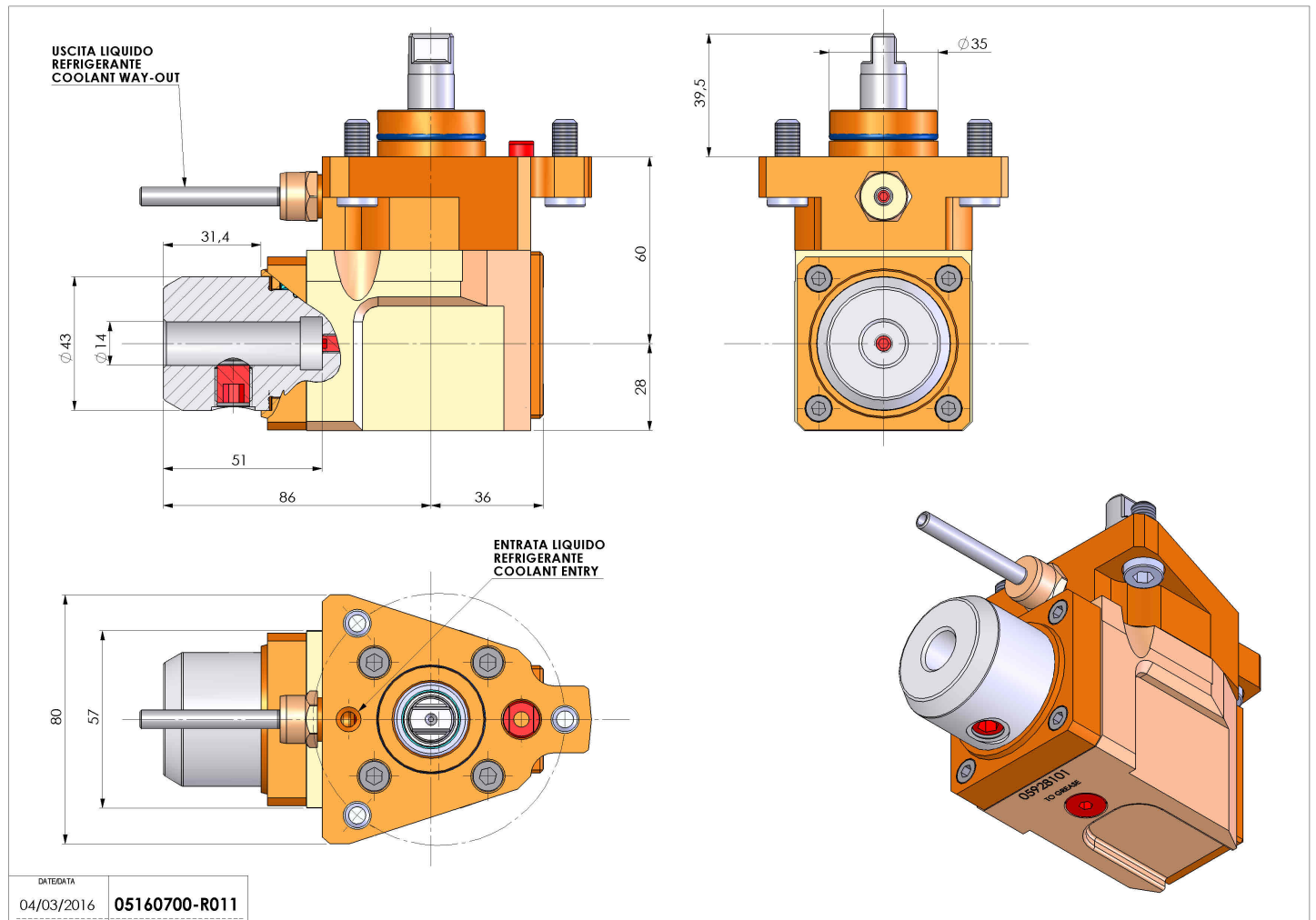


05160700 - LT-A D35 WELDON14 H60 MU

Type	LT-A Tool holder angle 90°
Mounting	CYLINDRICAL SHANK 35
Tool output	Weldon 14 DIN1835B
Coolant	External coolant
Direction of rotation	r1 ↻ r2 ↻
Max speed [rpm]	6000
Max torque [Nm]	10
Ratio	1:1
H [mm]	60
H1 [mm]	28
Accessories	N.A.
Notes	N.A.
Mounting tips	N.A.



Always check live tool dimensions on the turret



Subject to technical changes