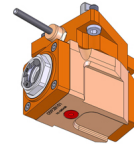
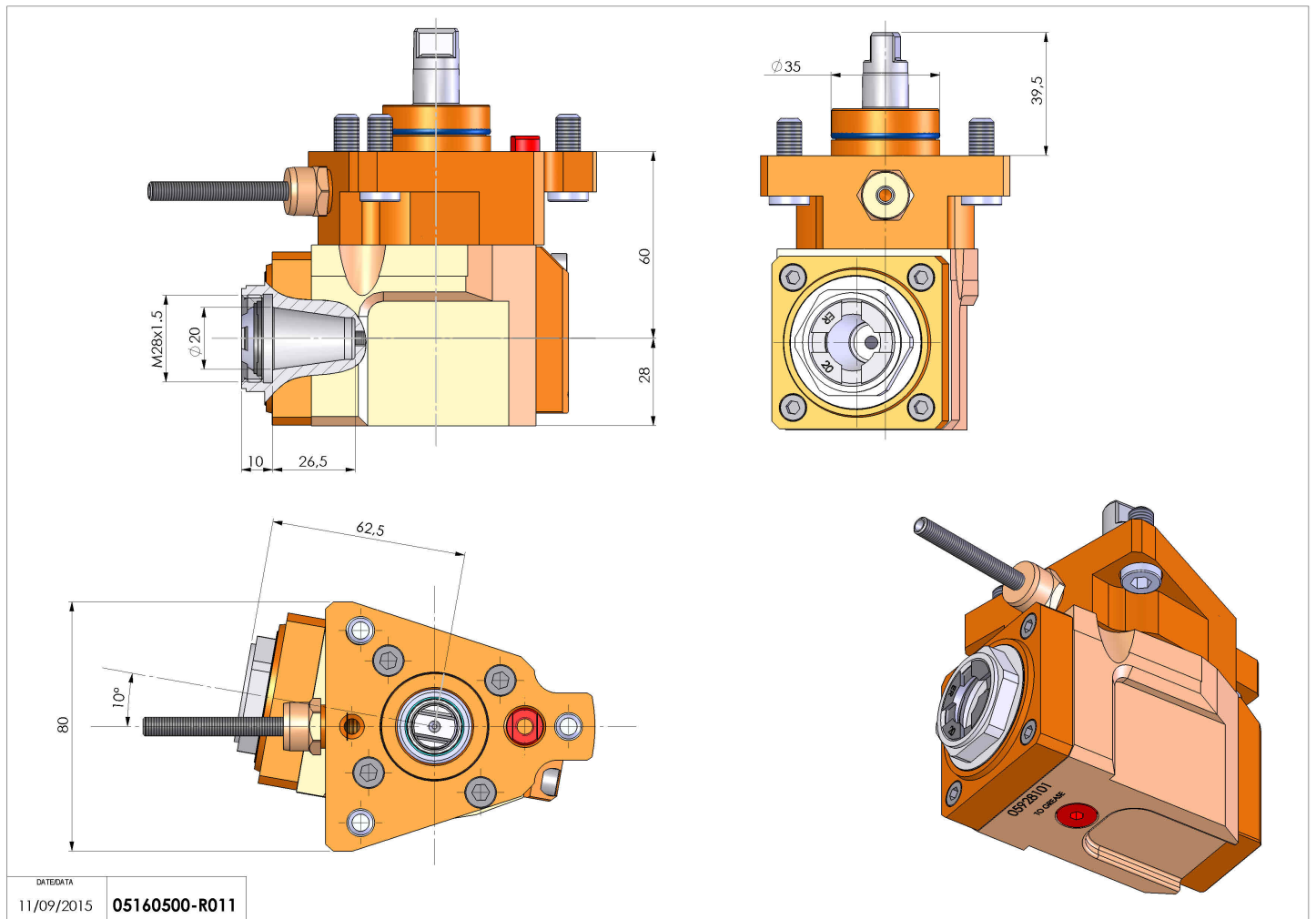


05160500 - LT-A D35 ER20F 10 H60 MU

Type	LT-A Tool holder angle 90°
Mounting	CYLINDRICAL SHANK 35
Tool output	Collet nut ER 20 F - internal nut
Coolant	External coolant
Direction of rotation	r1 ↻ r2 ↻
Max speed [rpm]	6000
Max torque [Nm]	10
Ratio	1:1
H [mm]	60
H1 [mm]	28
Accessories	N.A.
Notes	N.A.
Mounting tips	N.A.



Always check live tool dimensions on the turret



DATE/DATA	05160500-R011
11/09/2015	

Subject to technical changes