

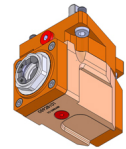
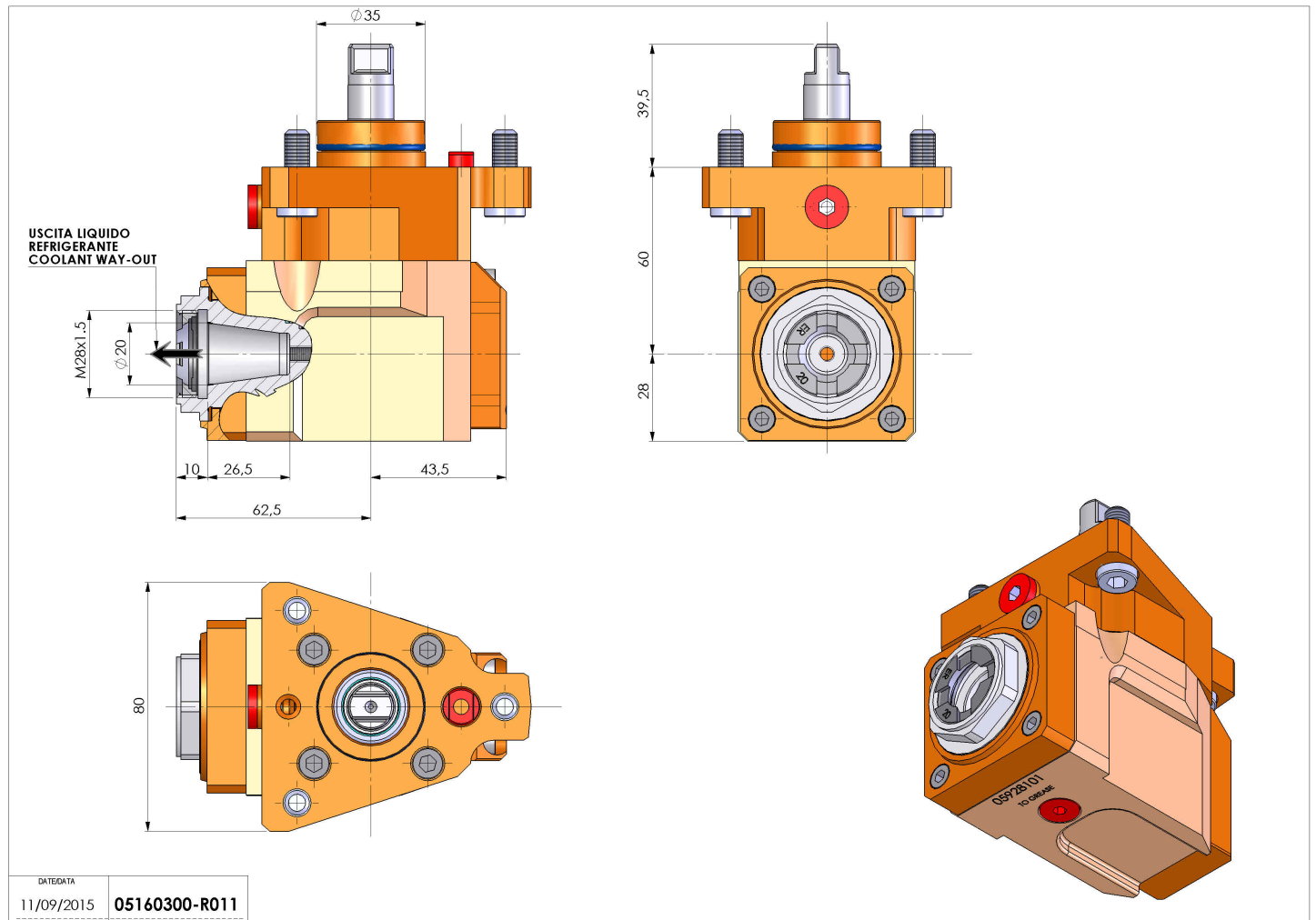


# 05160300 - LT-A D35 ER20F RF H60 MU

|                              |   |
|------------------------------|---|
| <b>Type</b>                  | LT-A<br>Tool holder angle 90°   |
| <b>Mounting</b>              | CYLINDRICAL SHANK 35  |
| <b>Tool output</b>           | Collet nut ER 20 F - internal nut   |
| <b>Coolant</b>               | Internal coolant  |
| <b>Direction of rotation</b> | r1  r2  |
| <b>Max speed [rpm]</b>       | 6000  |
| <b>Max torque [Nm]</b>       | 10  |
| <b>Ratio</b>                 | 1:1   |
| <b>H [mm]</b>                | 60  |
| <b>H1 [mm]</b>               | 28  |
| <b>Max pressure [bar]</b>    | 20  |
| <b>Accessories</b>           | N.A.  |
| <b>Notes</b>                 | N.A.  |
| <b>Mounting tips</b>         | N.A.  |



Always check live tool dimensions on the turret



DATE/DATE: 11/09/2015  
**05160300-R011**

Subject to technical changes