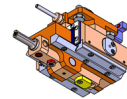
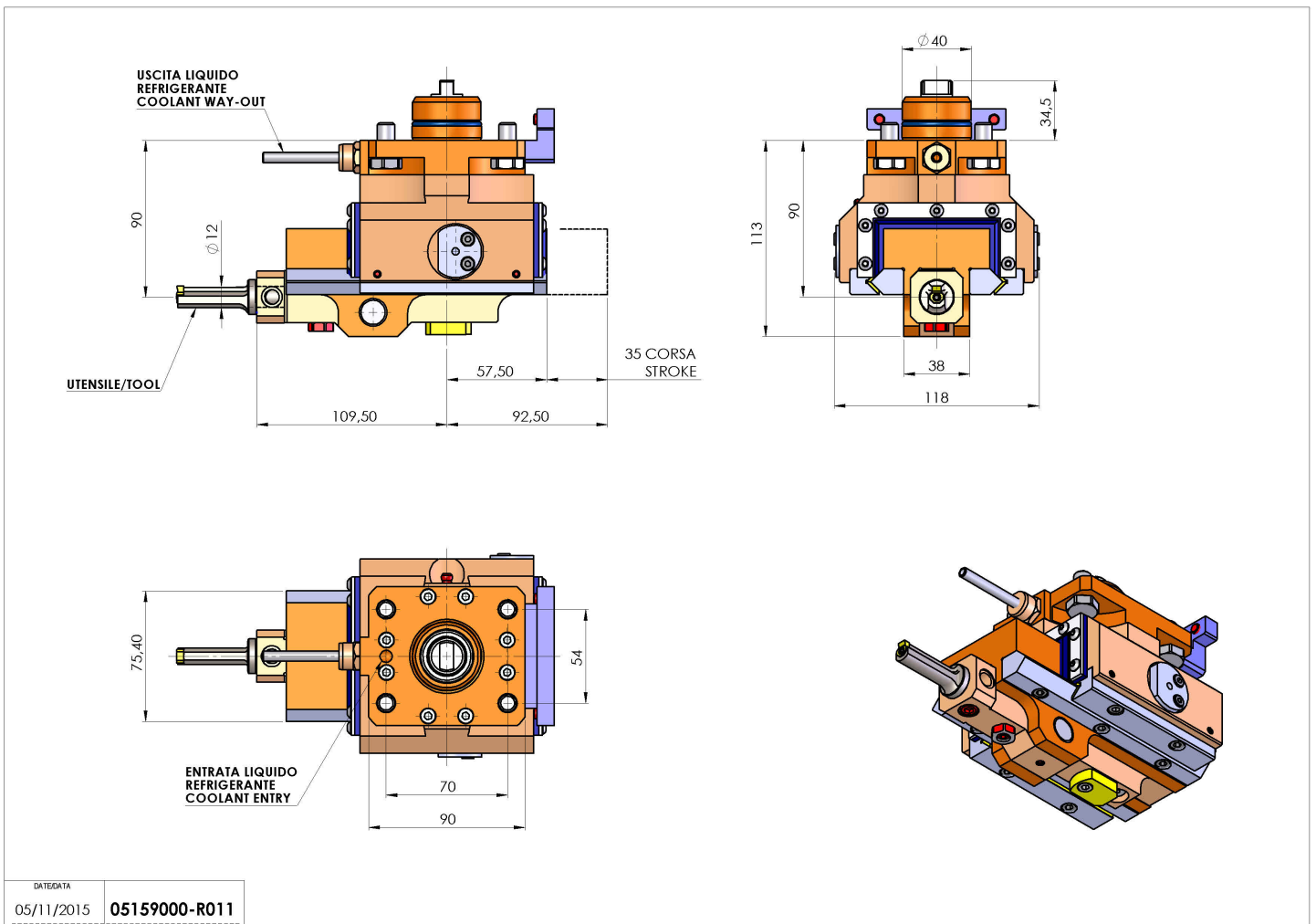


# 05159000 - LT-A ST35 D40 C12 H90 MU

|                          |                              |
|--------------------------|------------------------------|
| <b>Type</b>              | LT-A ST<br>Slotting tool 90° |
| <b>Mounting</b>          | CYLINDRICAL SHANK 40         |
| <b>Tool output</b>       | Tool diameter 12             |
| <b>Coolant</b>           | External coolant             |
| <b>Max speed [rpm]</b>   | 700                          |
| <b>Max torque [Nm]</b>   | 17,5                         |
| <b>Ratio</b>             | 1:1                          |
| <b>Y axis adjustment</b> | NO                           |
| <b>Feed pushing [N]</b>  | 1000                         |
| <b>Stroke [mm]</b>       | 35                           |
| <b>Work stroke [mm]</b>  | 30                           |
| <b>H [mm]</b>            | 90                           |
| <b>Accessories</b>       | N.A.                         |
| <b>Notes</b>             | N.A.                         |
| <b>Mounting tips</b>     | Main spindle only            |



Always check live tool dimensions on the turret



|           |            |               |
|-----------|------------|---------------|
| DATE/DATE | 05/11/2015 | 05159000-R011 |
|-----------|------------|---------------|

Subject to technical changes