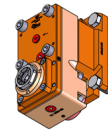
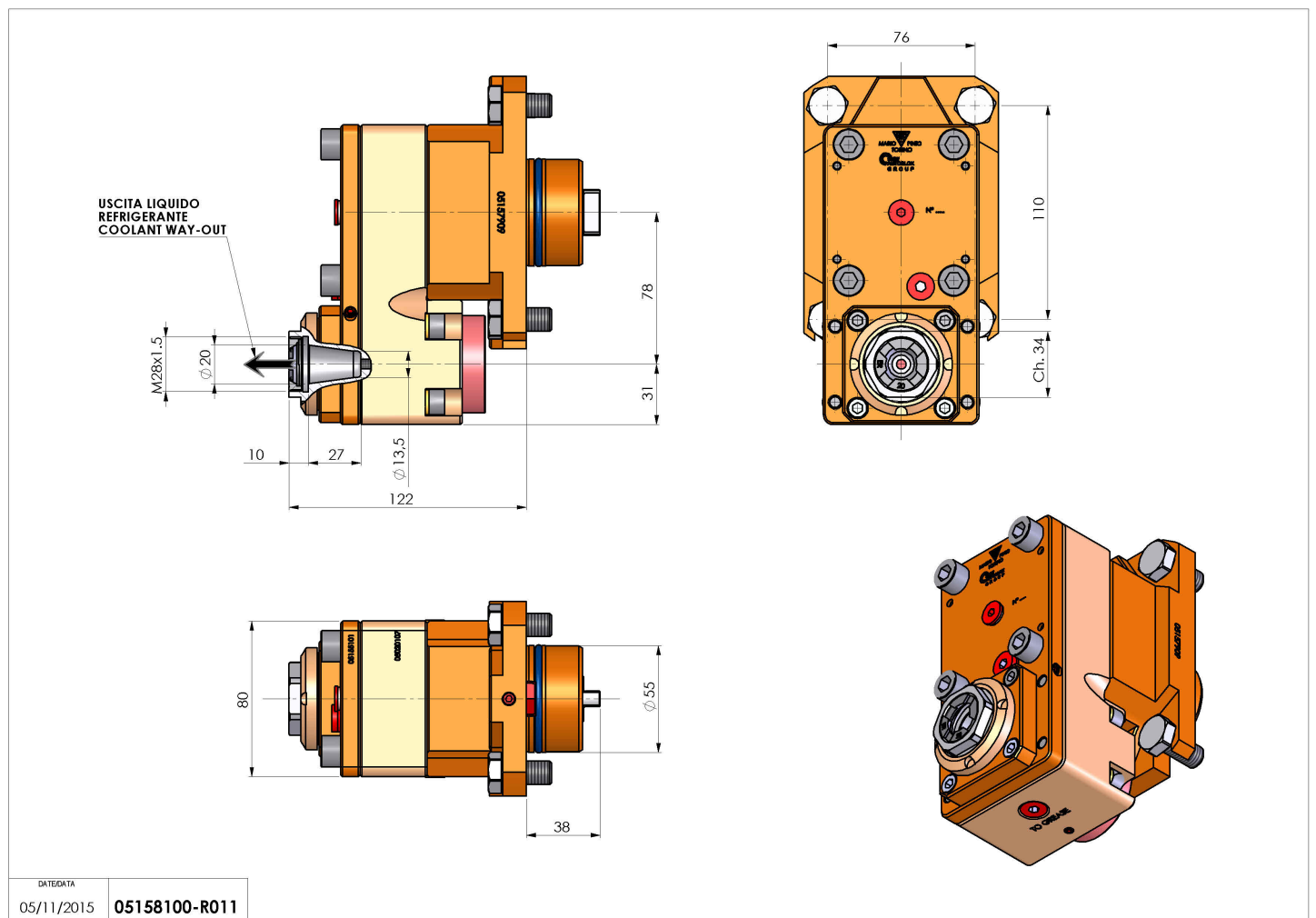


05158100 - LT-S D55 ER20F OFS78 RF 1:3 MU

Type	LT-S OFS Tool holder straight offset
Mounting	CYLINDRICAL SHANK 55
Tool output	Collet nut ER 20 F - internal nut
Coolant	Internal coolant
Offset [mm]	78
Direction of rotation	r1 ↻ r2 ↻
Max speed [rpm]	in 5000 / out 15000
Max torque [Nm]	in 50 / out 14
Ratio	1:3
H [mm]	121
Max pressure [bar]	20
Accessories	N.A.
Notes	N.A.
Mounting tips	N.A.



Always check live tool dimensions on the turret



Subject to technical changes