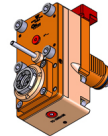


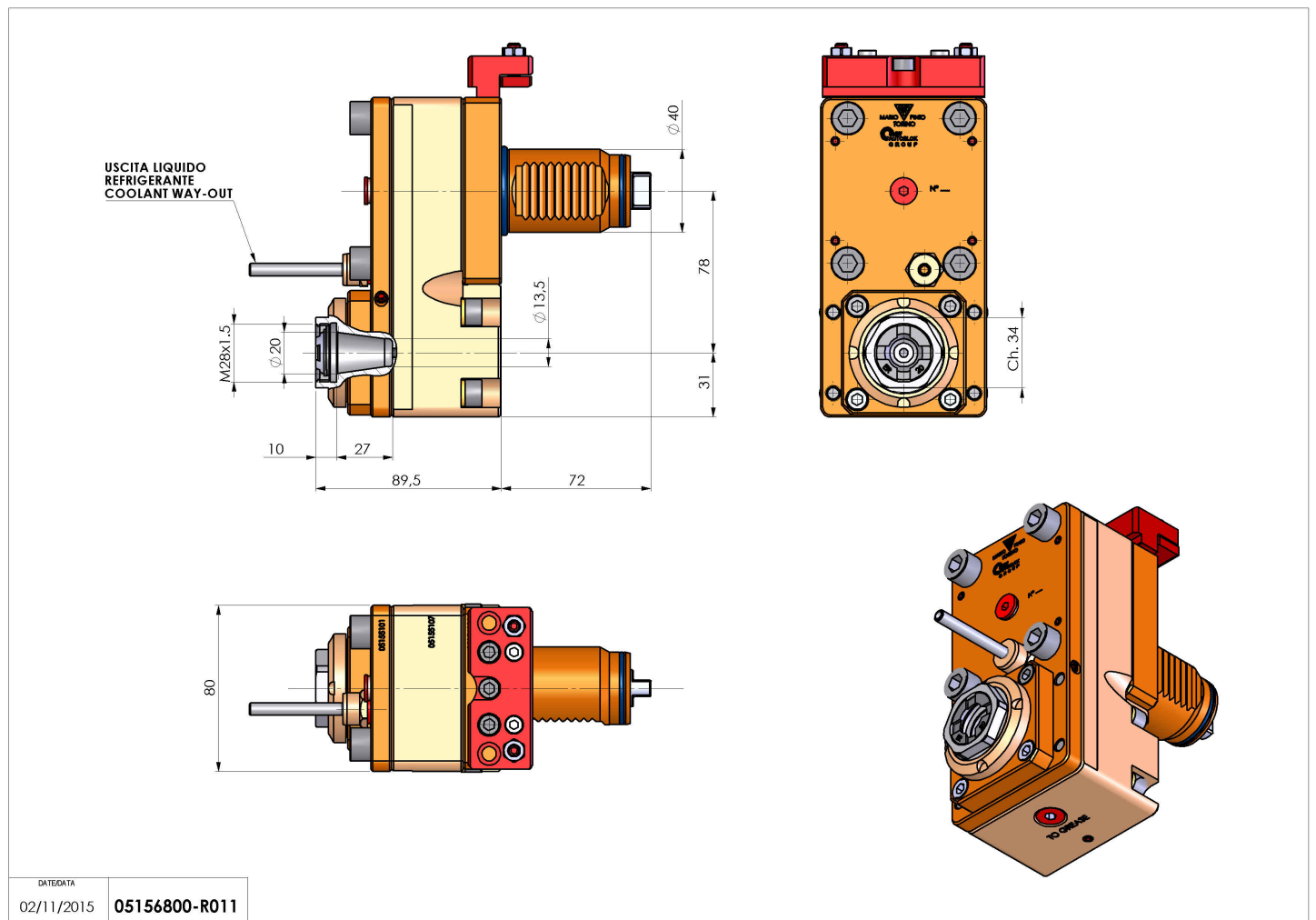
## 05156800 - LT-S VDI40MER20F OF78 1:3H90MU

|                       |   |
|-----------------------|---|
| Type                  | LT-S OFS<br>Tool holder straight offset |
| Mounting              | VDI 40                                  |
| Tool output           | Collet nut ER 20 F - internal nut       |
| Coolant               | External coolant                        |
| Offset [mm]           | 78                                      |
| Direction of rotation | r1 ↻ r2 ↻                               |
| Max speed [rpm]       | in 5000 / out 15000                     |
| Max torque [Nm]       | in 50 / out 14                          |
| Ratio                 | 1:3                                     |
| H [mm]                | 89,5                                    |
| Accessories           | N.A.                                    |
| Notes                 | N.A.                                    |
| Mounting tips         | N.A.                                    |



**ATTENTION: CHECK THE ORIENTATION OF THE VDI TEETH**

Always check live tool dimensions on the turret



|           |            |               |
|-----------|------------|---------------|
| DATE/DATE | 02/11/2015 | 05156800-R011 |
|-----------|------------|---------------|

Subject to technical changes