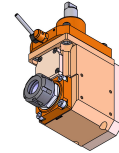
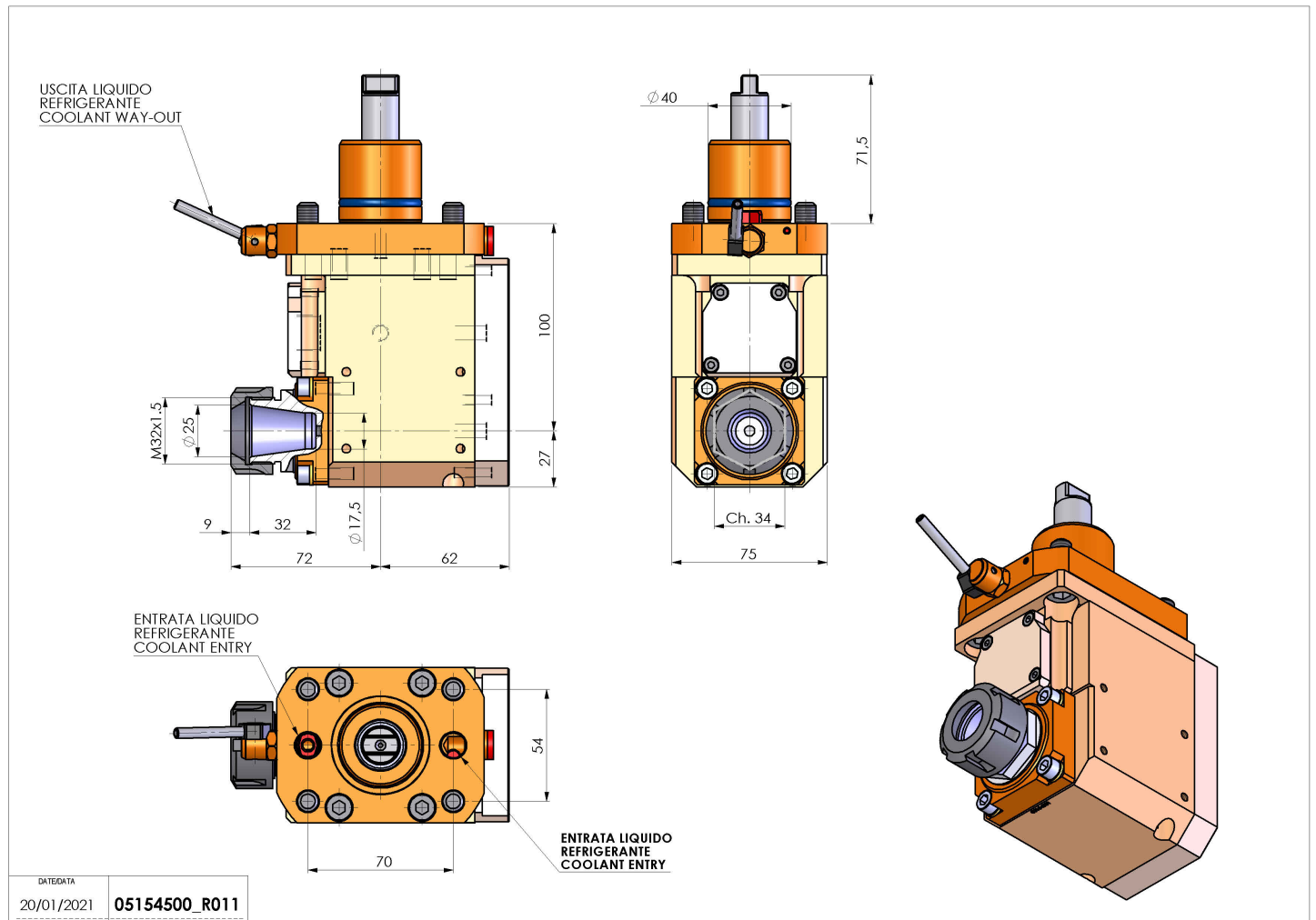


## 05154500 - LT-A D40 ER25 L H100 1:2

<b>Type</b>	LT-A Tool holder angle 90°
<b>Mounting</b>	CYLINDRICAL SHANK 40
<b>Tool output</b>	Collet nut ER 25
<b>Coolant</b>	External coolant
<b>Direction of rotation</b>	r1  r2
<b>Max speed [rpm]</b>	in 5000 / out 10000
<b>Max torque [Nm]</b>	in 50 / out 25
<b>Ratio</b>	1:2
<b>H [mm]</b>	100
<b>H1 [mm]</b>	27
<b>Accessories</b>	N.A.
<b>Notes</b>	Mounted on lower turret can work on secondary spindle only
<b>Mounting tips</b>	On lower turret working only on secondary spindle



Always check live tool dimensions on the turret



Subject to technical changes