

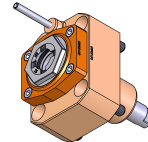
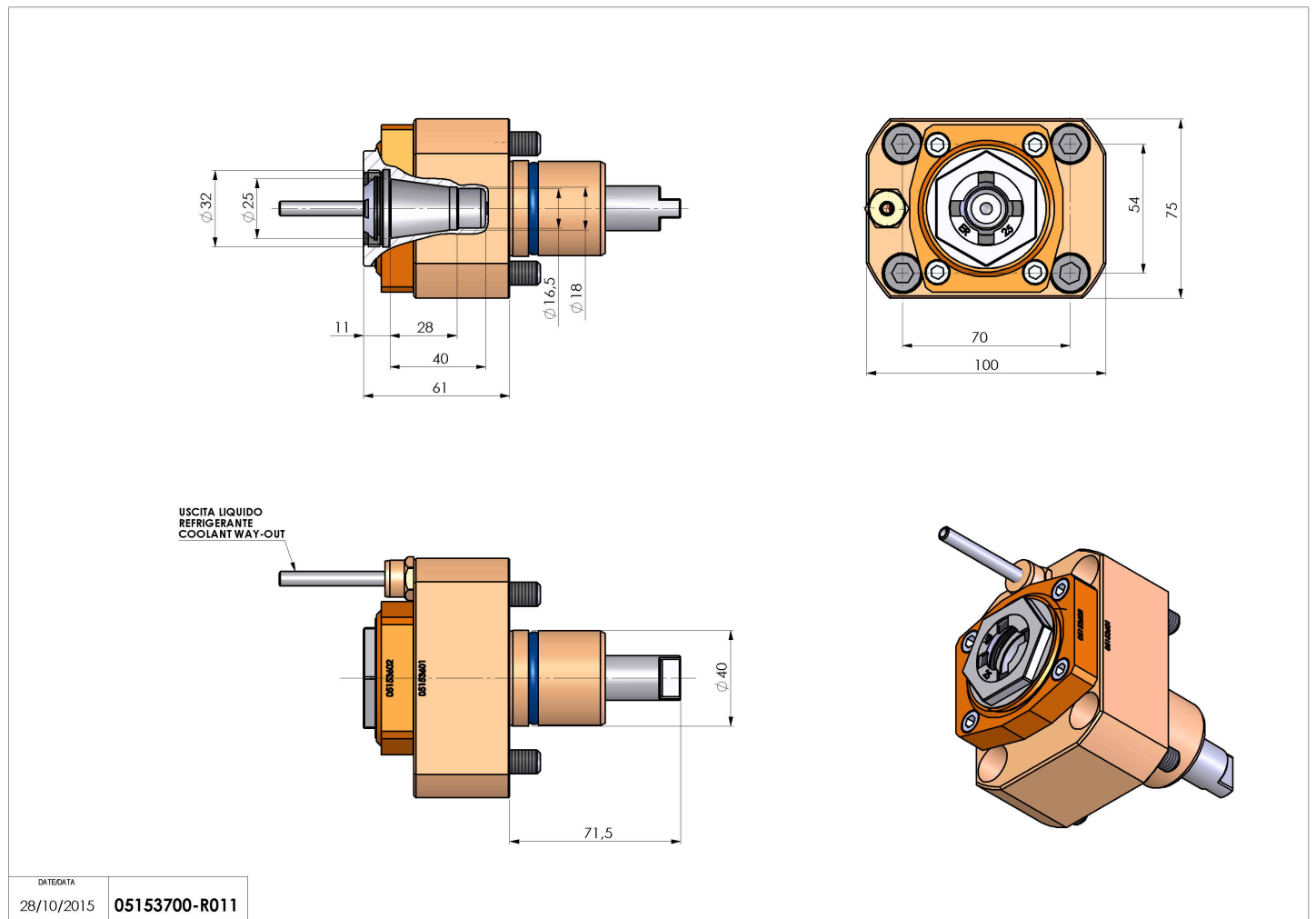


## 05153700 - LT-S D40 ER25F H61 MU

|                              |   |
|------------------------------|---|
| <b>Type</b>                  | LT-S<br>Tool holder straight  |
| <b>Mounting</b>              | CYLINDRICAL SHANK 40  |
| <b>Tool output</b>           | Collet nut ER 25 F - internal nut   |
| <b>Coolant</b>               | External coolant  |
| <b>Direction of rotation</b> | r1  r2  |
| <b>Max speed [rpm]</b>       | 6000  |
| <b>Max torque [Nm]</b>       | 40  |
| <b>Ratio</b>                 | 1:1   |
| <b>H [mm]</b>                | 61  |
| <b>Accessories</b>           |   |
| <b>Notes</b>                 | N.A.  |
| <b>Mounting tips</b>         | N.A.  |



Always check live tool dimensions on the turret



|            |               |
|------------|---------------|
| DATE/DATE  | 05153700-R011 |
| 28/10/2015 |               |

Subject to technical changes