

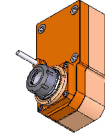
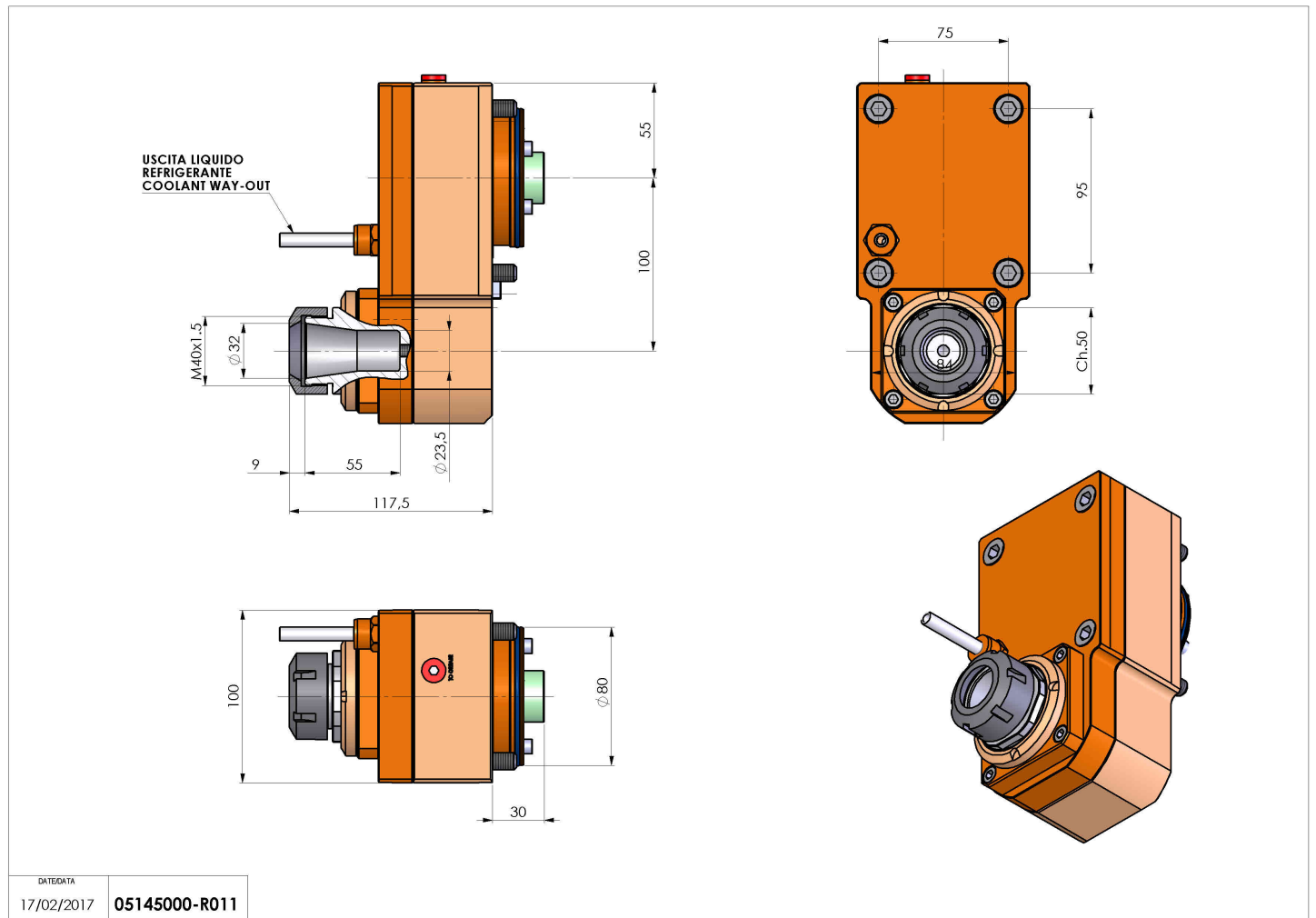


05145000 - LT-S D80 ER32 OFS100 H117

Type	LT-S OFS Tool holder straight offset
Mounting	CYLINDRICAL SHANK 80
Tool output	Collet nut ER 32
Coolant	External coolant
Offset [mm]	100
Direction of rotation	r1  r2 
Max speed [rpm]	6000
Max torque [Nm]	63
Ratio	1:1
H [mm]	108,5
Accessories	N.A.
Notes	N.A.
Mounting tips	Main spindle only



Always check live tool dimensions on the turret



DATE/DATE	05145000-R011
17/02/2017	

Subject to technical changes