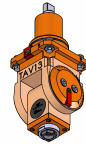
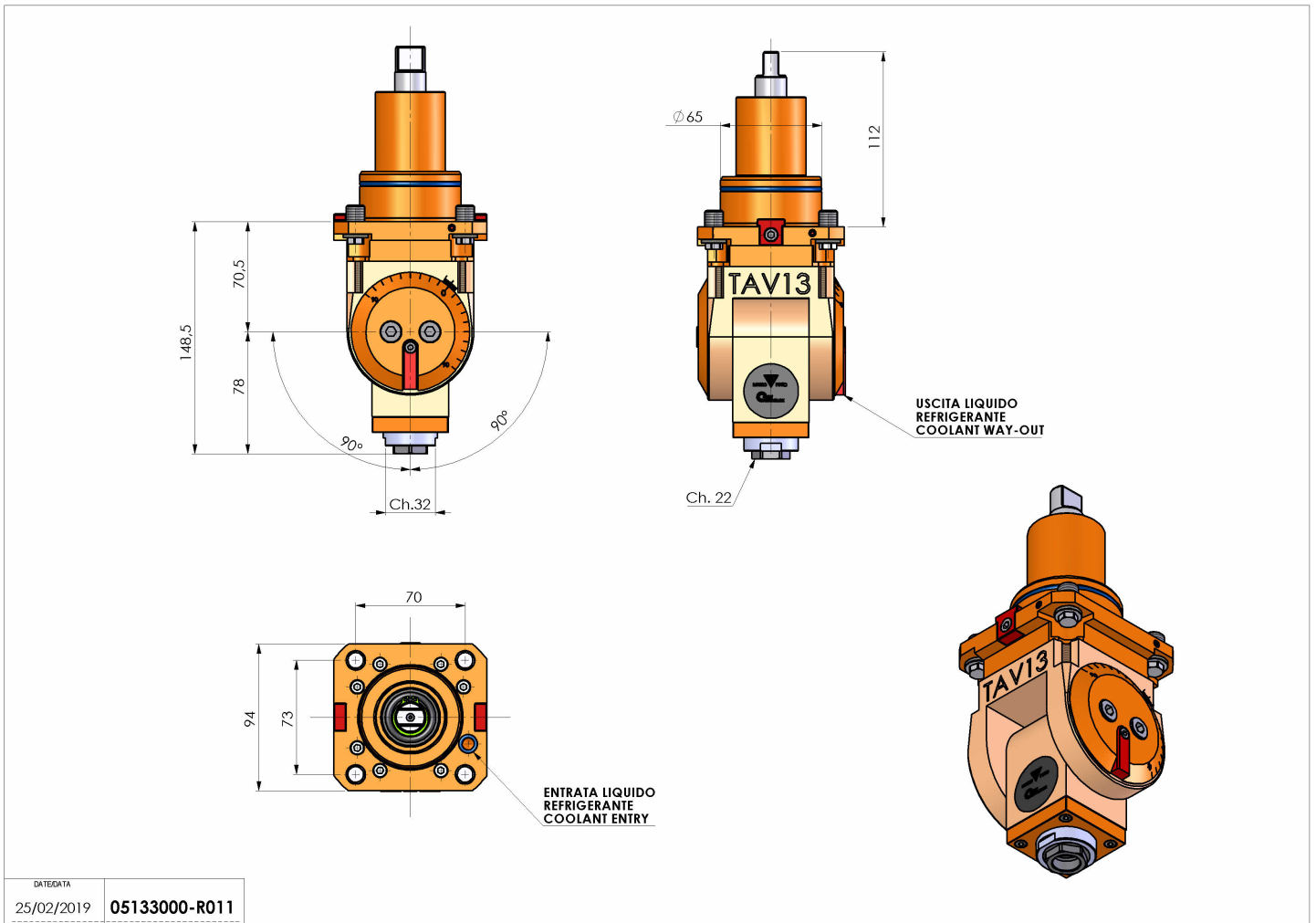


05133000 - LT-T BMT65 ER20F H71-148.5

Type	LT-T Tool holder tiltable
Mounting	BMT 65
Tool output	Collet nut ER 20 F - internal nut
Coolant	External coolant
Direction of rotation	r1 ↻ r2 ↻
Max speed [rpm]	6000
Max torque [Nm]	20
Ratio	1:1
H [mm]	70,5-118,5
Accessories	N.A.
Notes	N.A.
Mounting tips	N.A.



Always check live tool dimensions on the turret



DATE/DATE	05133000-R011
25/02/2019	

Subject to technical changes