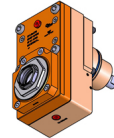
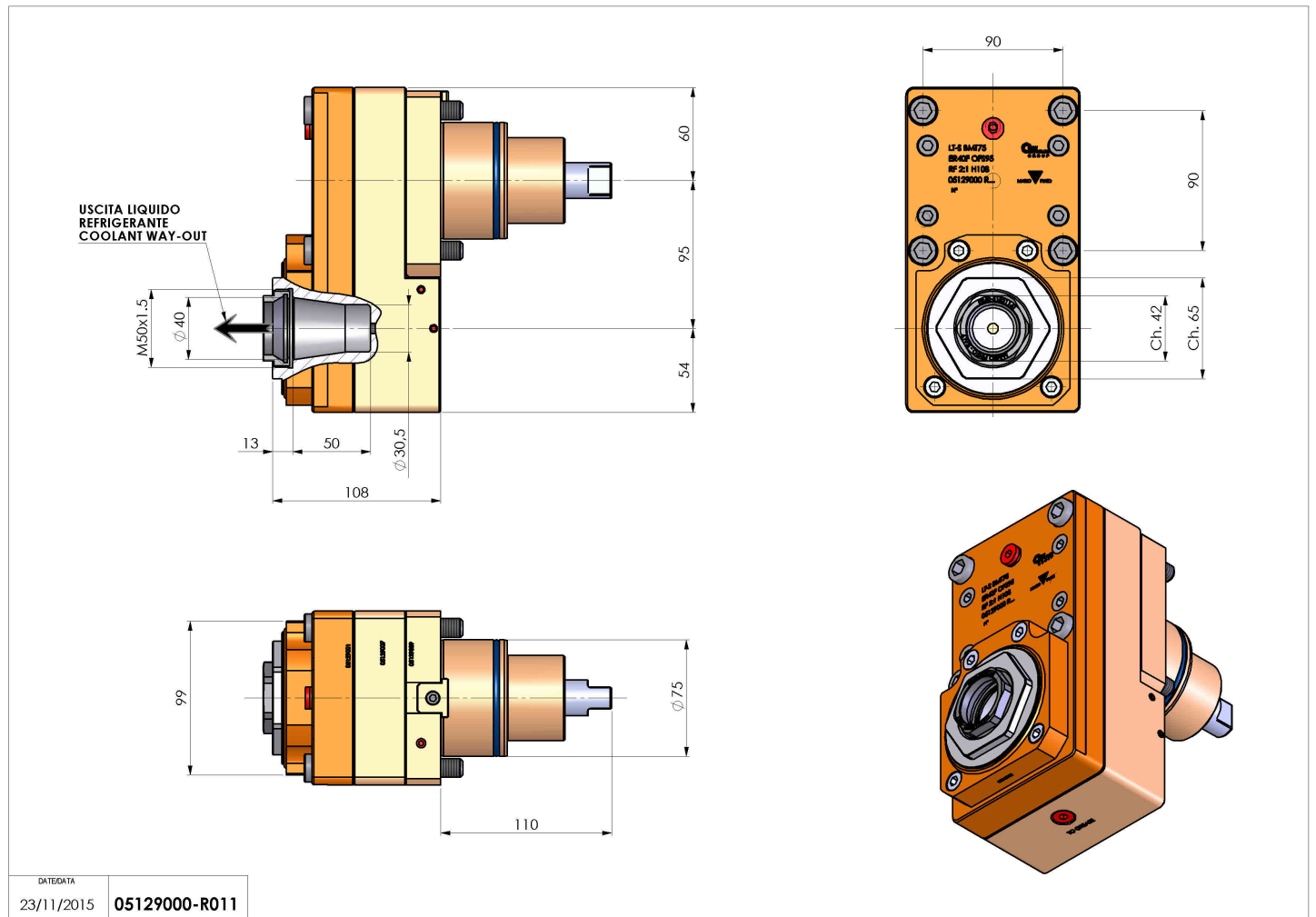


05129000 - LT-S BMT75ER40F OFS95RF2:1H108

Type	LT-S OFS Tool holder straight offset
Mounting	BMT 75
Tool output	Collet nut ER 40 F - internal nut
Coolant	Internal coolant
Offset [mm]	95
Direction of rotation	r1 ↻ r2 ↻
Max speed [rpm]	in 4000 / out 2000
Max torque [Nm]	in 120 / out 240
Ratio	2:1
H [mm]	108
Max pressure [bar]	20
Accessories	N.A.
Notes	N.A.
Mounting tips	N.A.



Always check live tool dimensions on the turret



Subject to technical changes