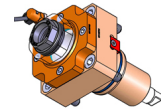
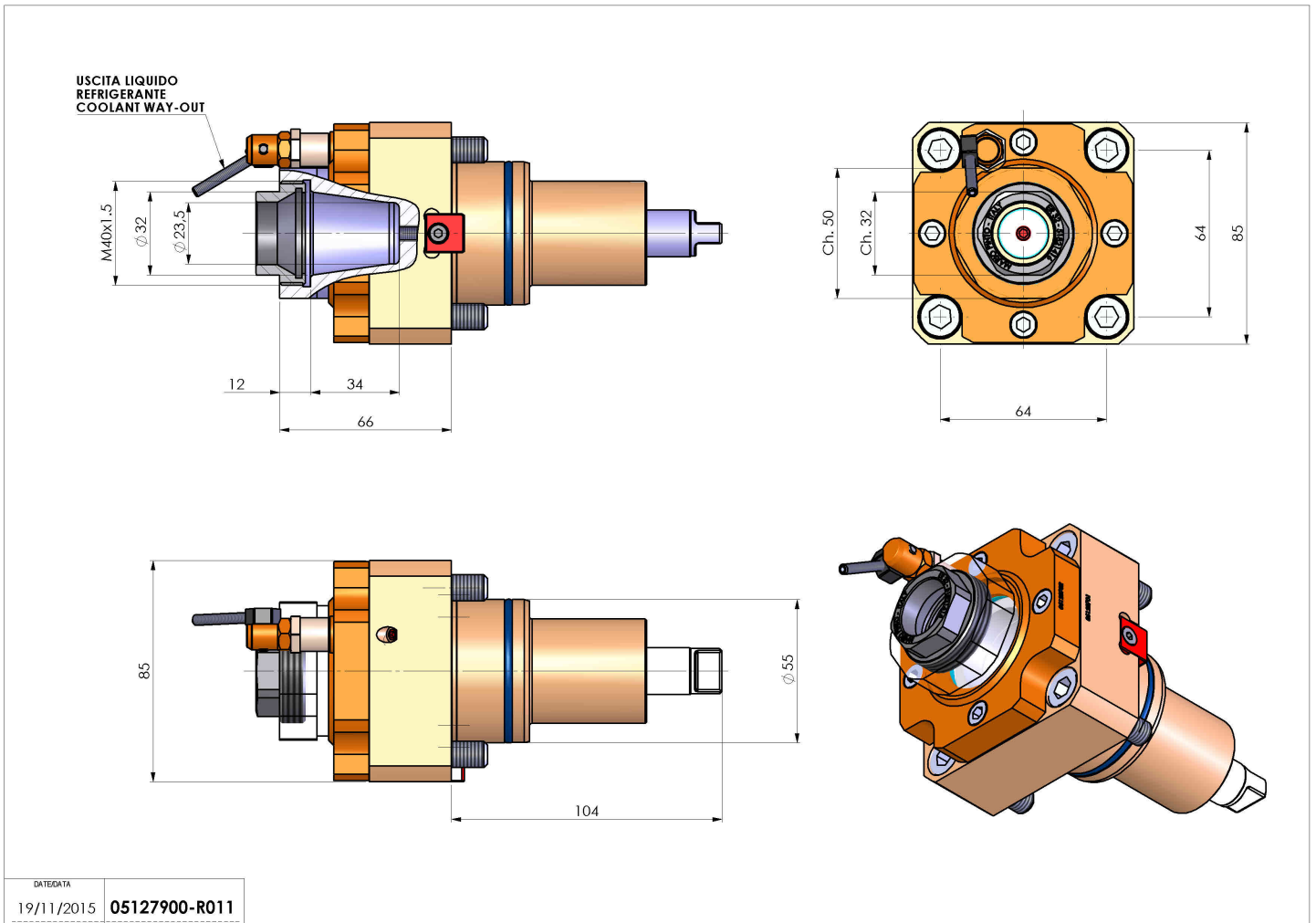


05127900 - LT-S BMT55 ER32F H66 DW

Type	LT-S Tool holder straight
Mounting	BMT 55
Tool output	Collet nut ER 32 F - internal nut
Coolant	External coolant
Direction of rotation	r1 r2
Max speed [rpm]	6000
Max torque [Nm]	40
Ratio	1:1
H [mm]	66
Accessories	
Notes	N.A.
Mounting tips	N.A.



Always check live tool dimensions on the turret



DATE/DATE	19/11/2015
PART NUMBER	05127900-R011

Subject to technical changes