


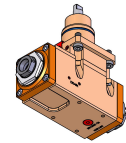
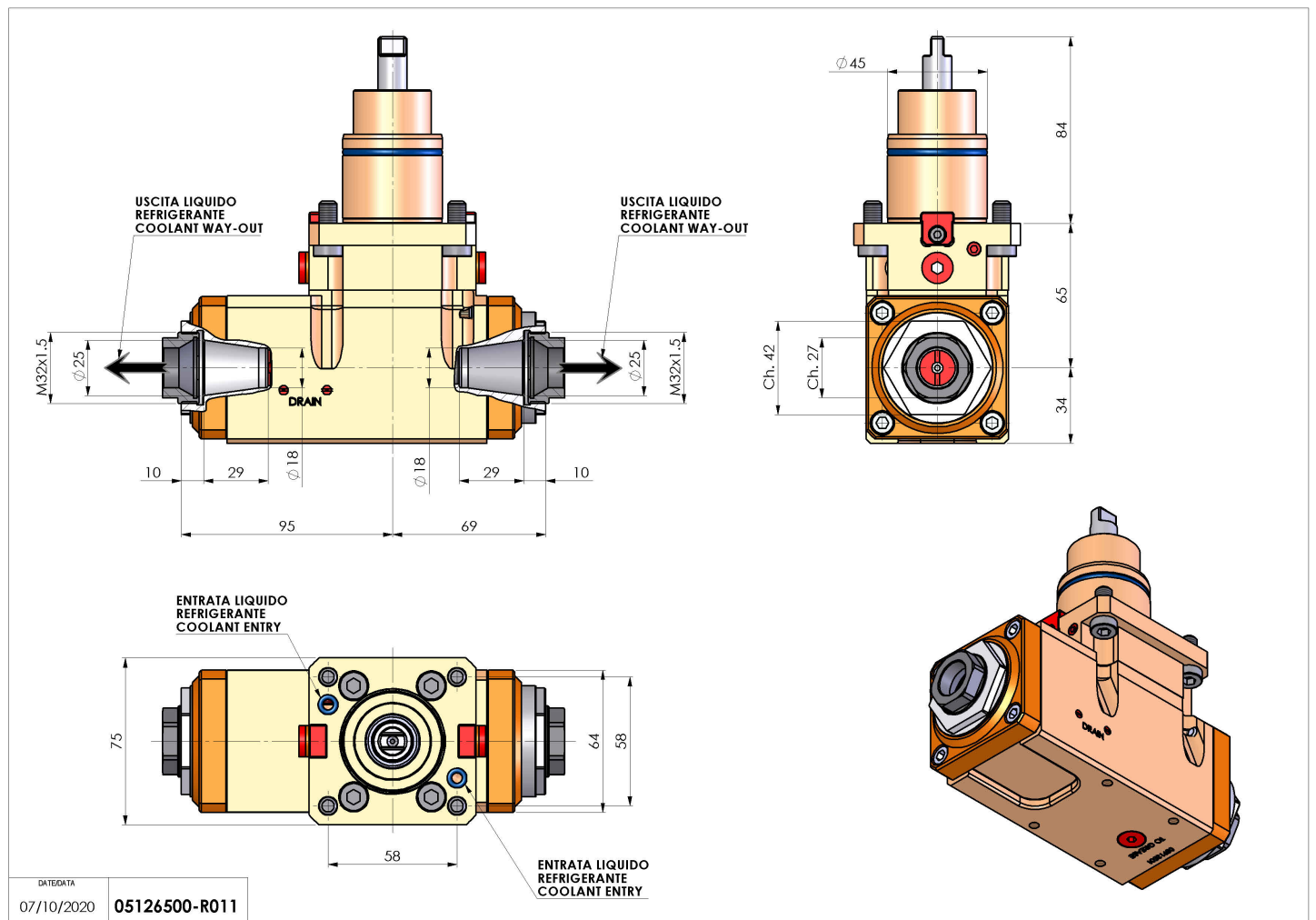


05126500 - LT-A BMT45 ER25F-ER25F HRF H65

Type	LT-A DBL Tool holder double angle 90°
Mounting	BMT 45
Tool output	Collet nut ER 25 F - internal nut
Coolant	HRF Internal/external coolant
Direction of rotation	r1  r2  r3 
Max speed [rpm]	6000
Max torque [Nm]	25
Ratio	1:1
H [mm]	65
H1 [mm]	34
Max pressure [bar]	70
Accessories	N.A.
Notes	N.A.
Mounting tips	Main and secondary spindle



Always check live tool dimensions on the turret



Subject to technical changes