

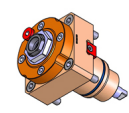
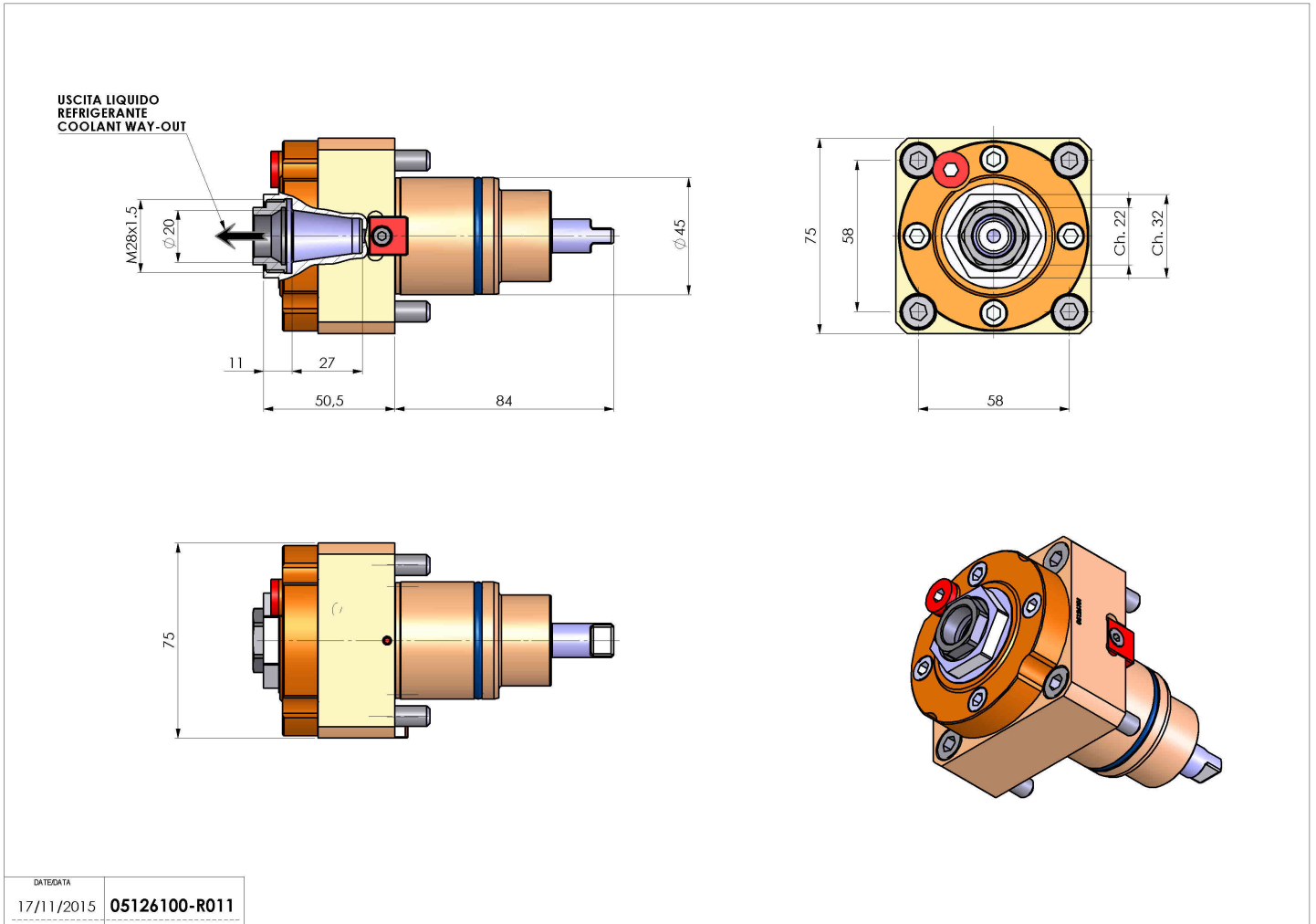


05126100 - LT-S BMT45 ER20F RF H51 DW

Type	LT-S Tool holder straight
Mounting	BMT 45
Tool output	Collet nut ER 20 F - internal nut
Coolant	Internal coolant
Direction of rotation	r1  r2 
Max speed [rpm]	6000
Max torque [Nm]	25
Ratio	1:1
H [mm]	50,5
Max pressure [bar]	20
Accessories	
Notes	N.A.
Mounting tips	N.A.



Always check live tool dimensions on the turret



DATE/DATE	05126100-R011
-----------	---------------

Subject to technical changes