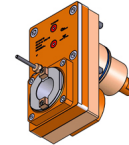
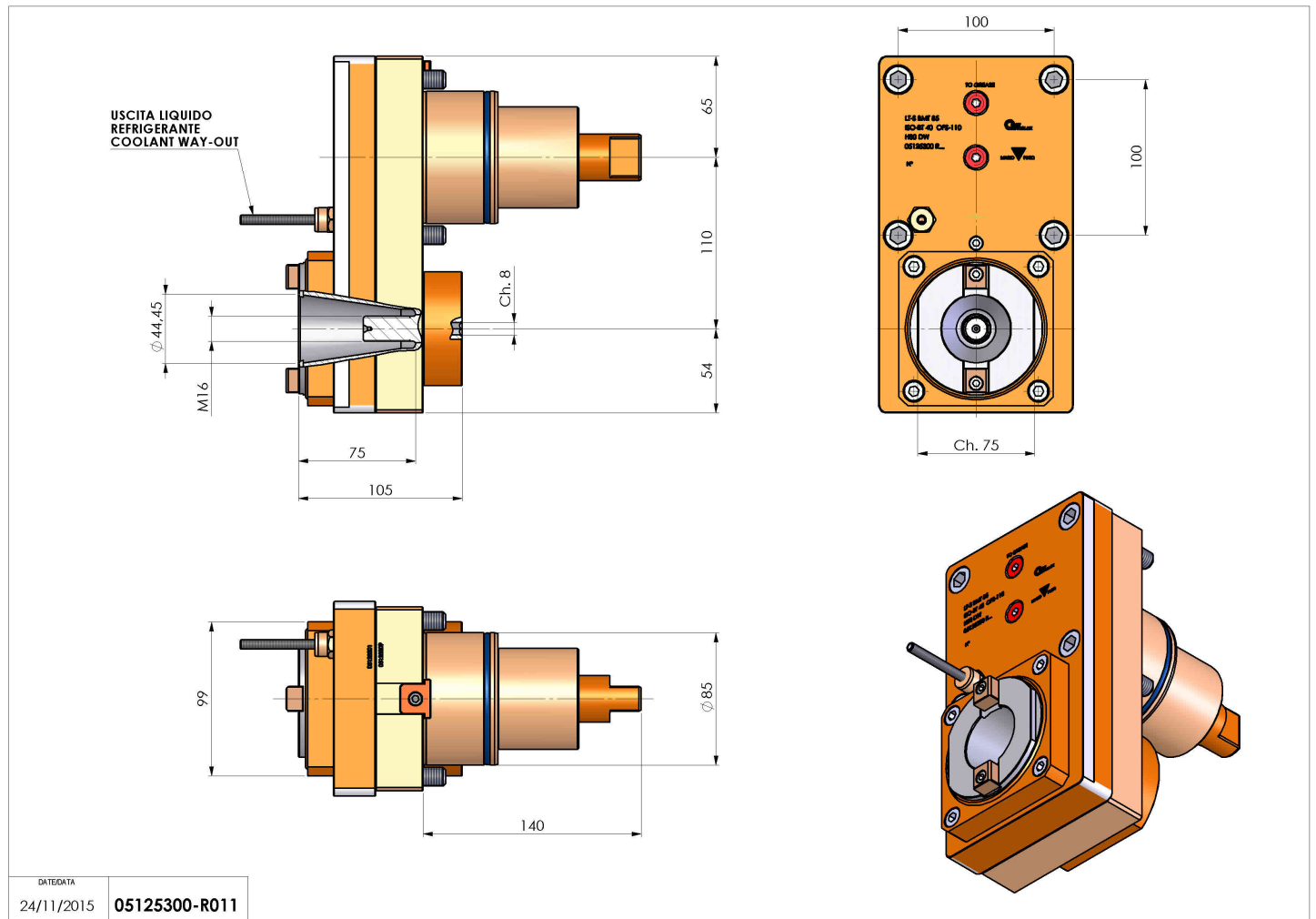


05125300 - LT-S BMT85 ISOBT40 OFS110H80DW

Type	LT-S OFS Tool holder straight offset
Mounting	BMT 85
Tool output	Quick Change ISO-BT40
Coolant	External coolant
Offset [mm]	110
Direction of rotation	r1 ↻ r2 ↻
Max speed [rpm]	4000
Max torque [Nm]	180
Ratio	1:1
H [mm]	80
Accessories	N.A.
Notes	N.A.
Mounting tips	N.A.



Always check live tool dimensions on the turret



Subject to technical changes