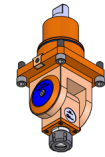
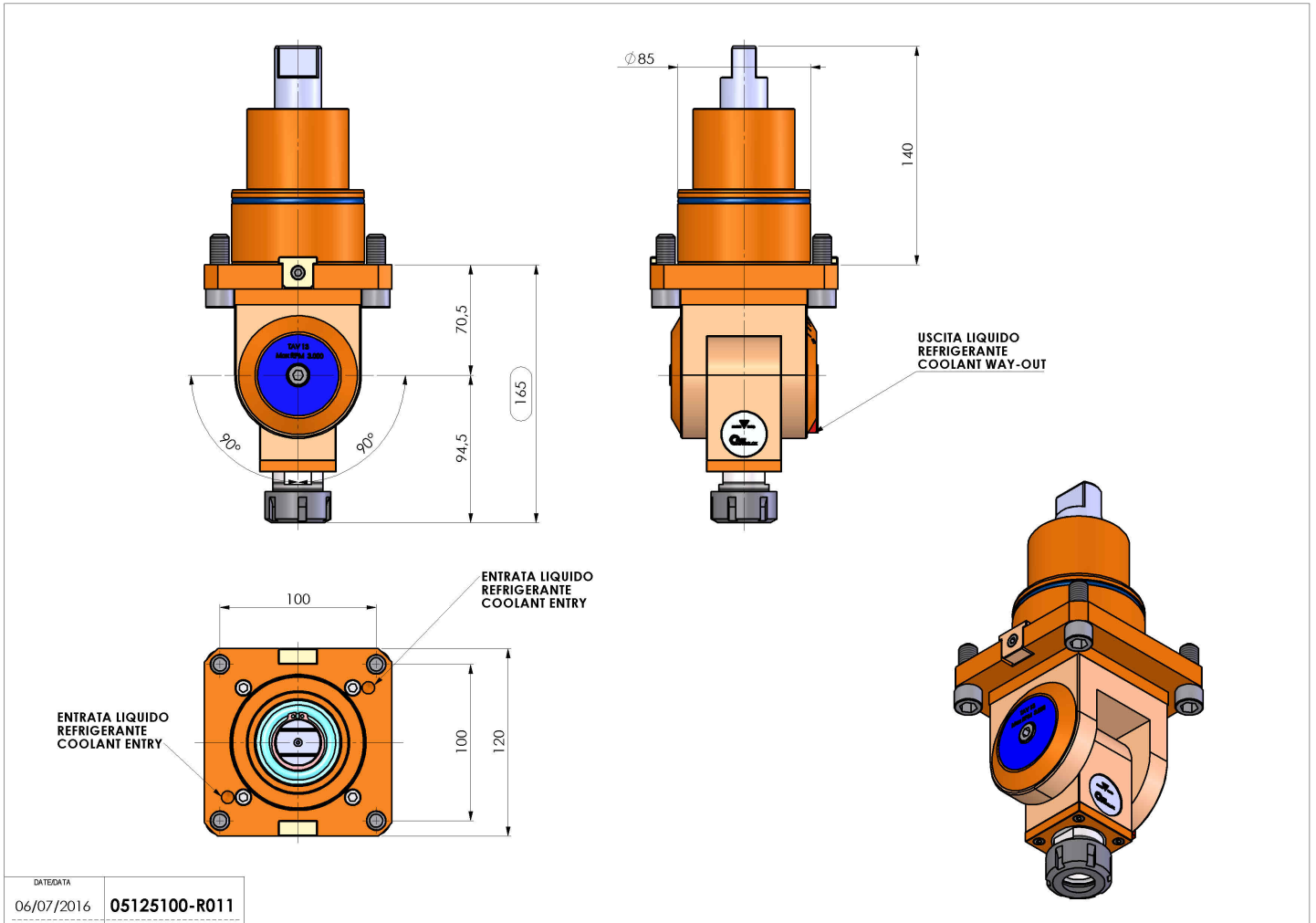


# 05125100 - LT-T BMT85 ER25M H71-165

Type	LT-T Tool holder tiltable
Mounting	BMT 85
Tool output	Collet nut ER 25
Coolant	External coolant
Direction of rotation	r1 ↻ r2 ↻
Max speed [rpm]	3000
Max torque [Nm]	20
Ratio	1:1
H [mm]	71-165
Accessories	N.A.
Notes	N.A.
Mounting tips	N.A.



Always check live tool dimensions on the turret



DATE/ATA	06/07/2016	05125100-R011
----------	------------	---------------

Subject to technical changes