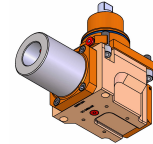
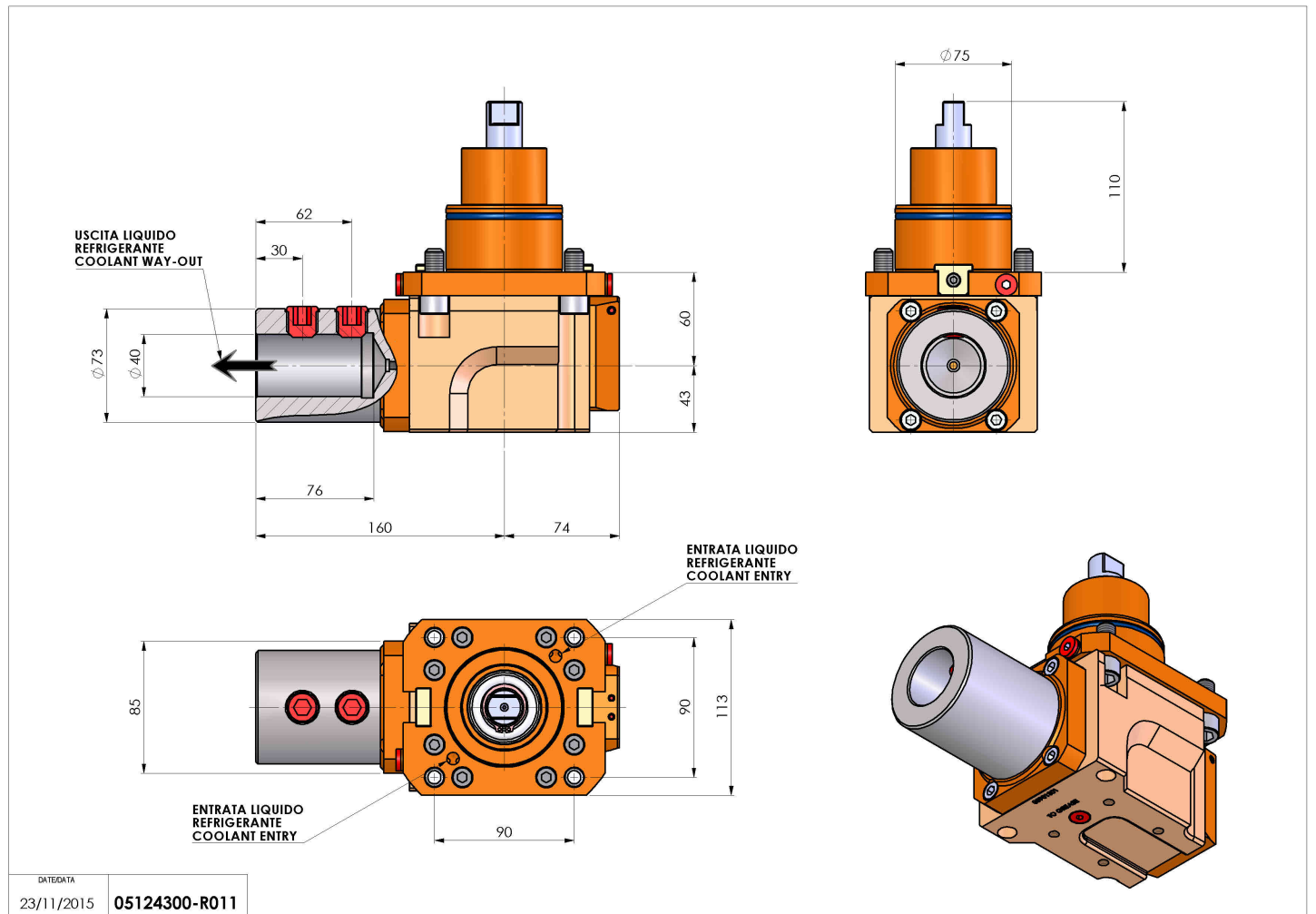


## 05124300 - LT-A BMT75 WELDON40 RF H60 DW

|                       |                               |
|-----------------------|-------------------------------|
| Type                  | LT-A<br>Tool holder angle 90° |
| Mounting              | BMT 75                        |
| Tool output           | Weldon 40 DIN1835B            |
| Coolant               | Internal coolant              |
| Direction of rotation | r1 ↻ r2 ↻                     |
| Max speed [rpm]       | 4000                          |
| Max torque [Nm]       | 80                            |
| Ratio                 | 1:1                           |
| H [mm]                | 60                            |
| H1 [mm]               | 43                            |
| Max pressure [bar]    | 20                            |
| Accessories           | N.A.                          |
| Notes                 | N.A.                          |
| Mounting tips         | N.A.                          |



Always check live tool dimensions on the turret



Subject to technical changes

DATE/DATE  
23/11/2015 05124300-R011