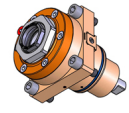
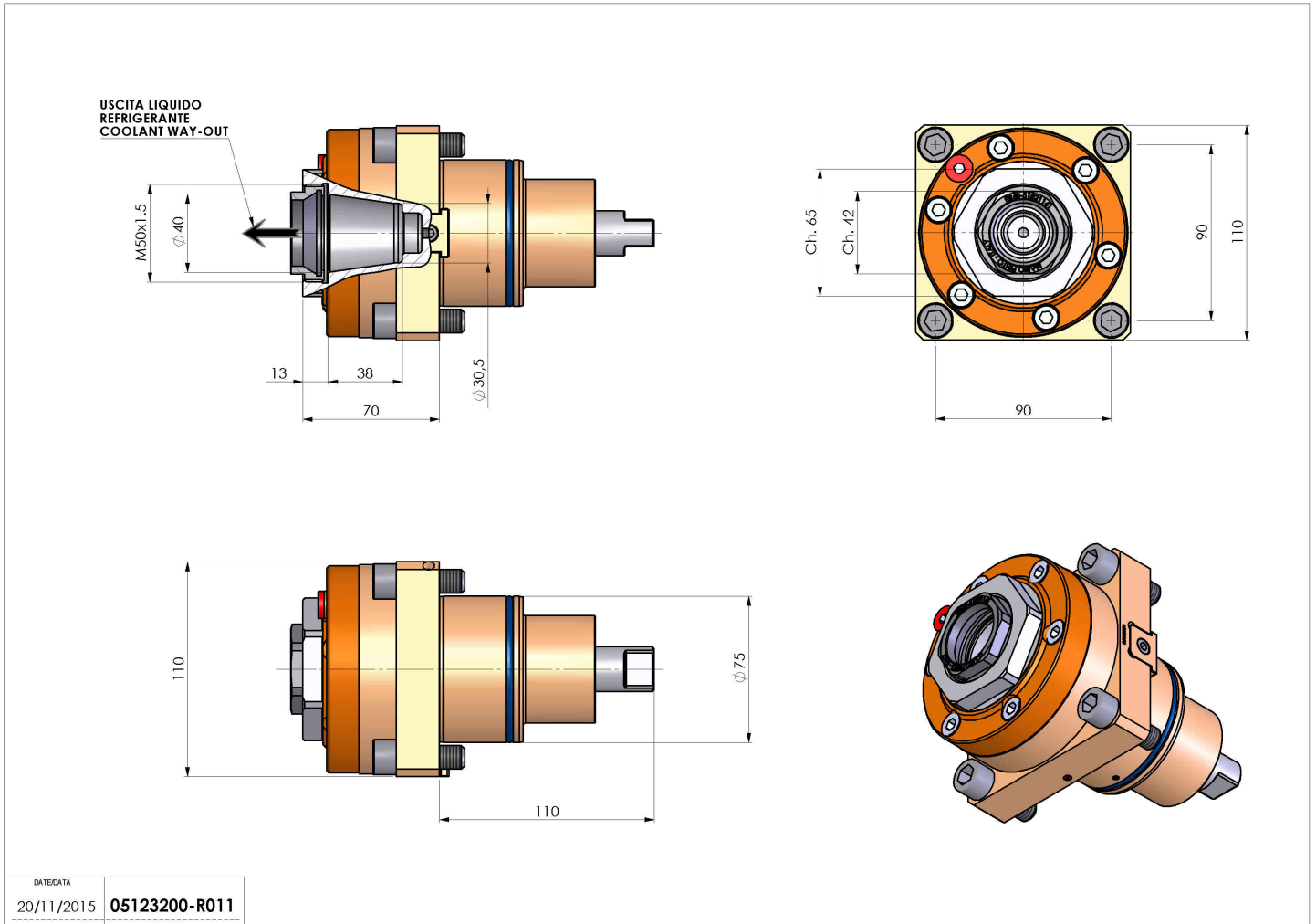


05123200 - LT-S BMT75 ER40F RF H70 DW

Type	LT-S Tool holder straight
Mounting	BMT 75
Tool output	Collet nut ER 40 F - internal nut
Coolant	Internal coolant
Direction of rotation	r1 r2
Max speed [rpm]	4000
Max torque [Nm]	100
Ratio	1:1
H [mm]	70
Max pressure [bar]	20
Accessories	
Notes	N.A.
Mounting tips	N.A.



Always check live tool dimensions on the turret



DATE/DATE	20/11/2015	05123200-R011
-----------	------------	---------------

Subject to technical changes