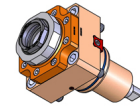
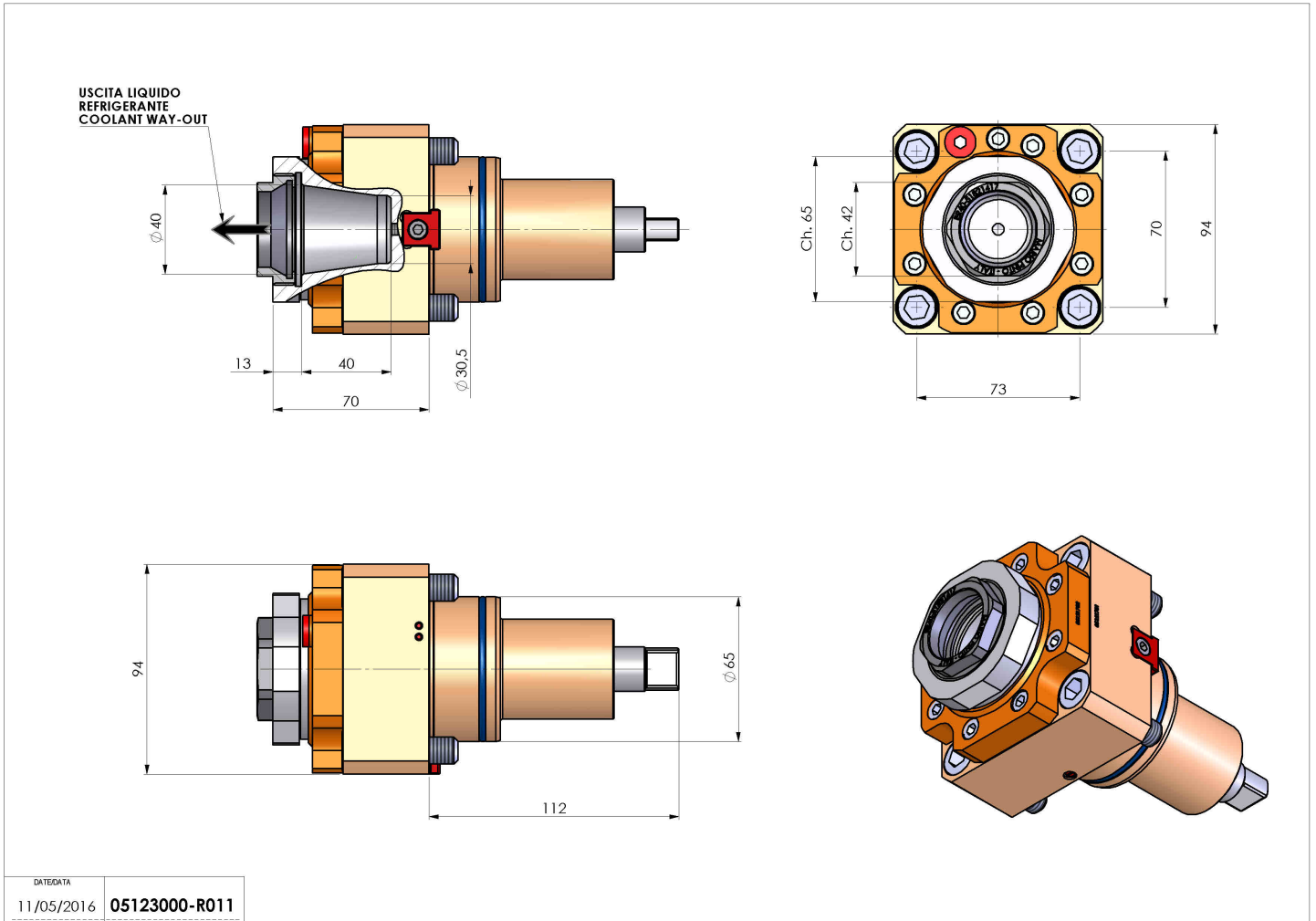


05123000 - LT-S BMT65 ER40F RF H70 DW

Type	LT-S Tool holder straight
Mounting	BMT 65
Tool output	Collet nut ER 40 F - internal nut
Coolant	Internal coolant
Direction of rotation	r1 r2
Max speed [rpm]	6000
Max torque [Nm]	70
Ratio	1:1
H [mm]	70
Max pressure [bar]	20
Accessories	
Notes	N.A.
Mounting tips	N.A.



Always check live tool dimensions on the turret



DATE/DATA	11/05/2016
PART NUMBER	05123000-R011

Subject to technical changes