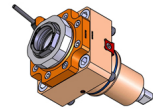
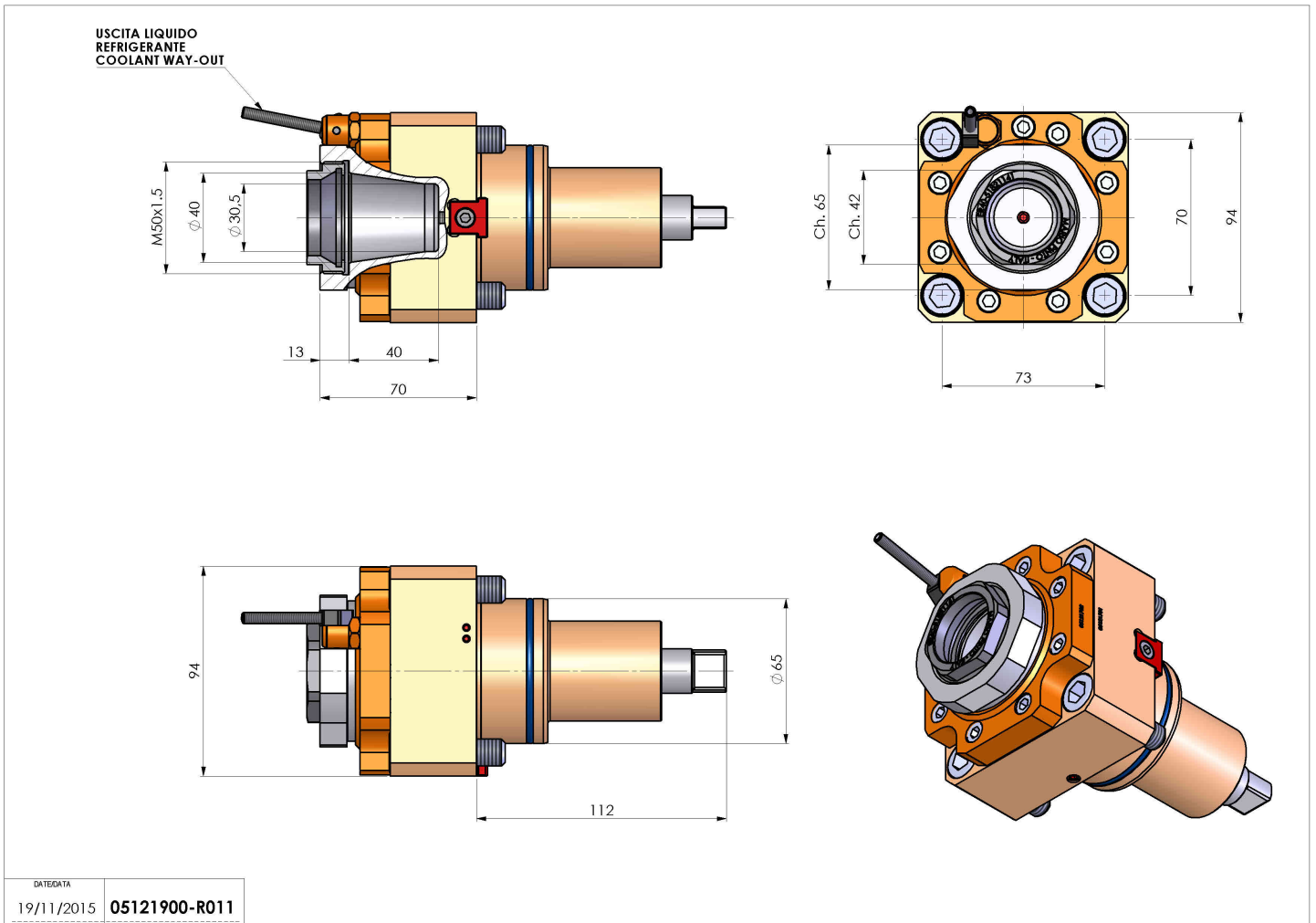


# 05121900 - LT-S BMT65 ER40F H70 DW

<b>Type</b>	LT-S Tool holder straight
<b>Mounting</b>	BMT 65
<b>Tool output</b>	Collet nut ER 40 F - internal nut
<b>Coolant</b>	External coolant
<b>Direction of rotation</b>	r1 ↻ r2 ↻
<b>Max speed [rpm]</b>	6000
<b>Max torque [Nm]</b>	70
<b>Ratio</b>	1:1
<b>H [mm]</b>	70
<b>Accessories</b>	
<b>Notes</b>	N.A.
<b>Mounting tips</b>	N.A.



Always check live tool dimensions on the turret



DATE/DATE	05121900-R011
19/11/2015	

Subject to technical changes