

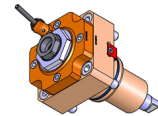
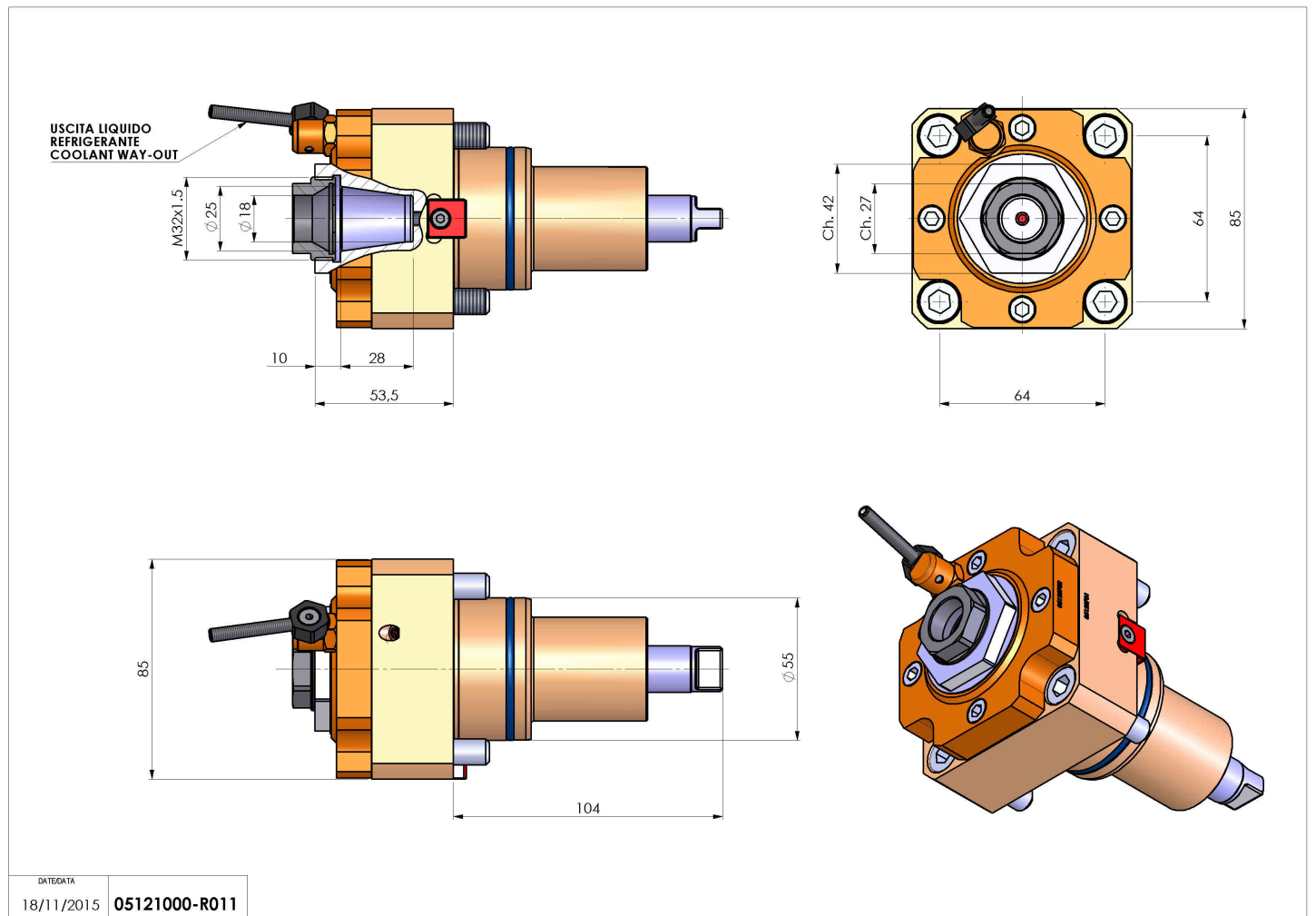


05121000 - LT-S BMT55 ER25F H53.5 DW

Type	LT-S Tool holder straight
Mounting	BMT 55
Tool output	Collet nut ER 25 F - internal nut
Coolant	External coolant
Direction of rotation	r1  r2 
Max speed [rpm]	6000
Max torque [Nm]	40
Ratio	1:1
H [mm]	53,5
Accessories	
Notes	N.A.
Mounting tips	N.A.



Always check live tool dimensions on the turret



DATE/DATE	05121000-R011
18/11/2015	

Subject to technical changes