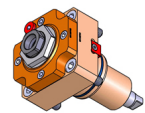
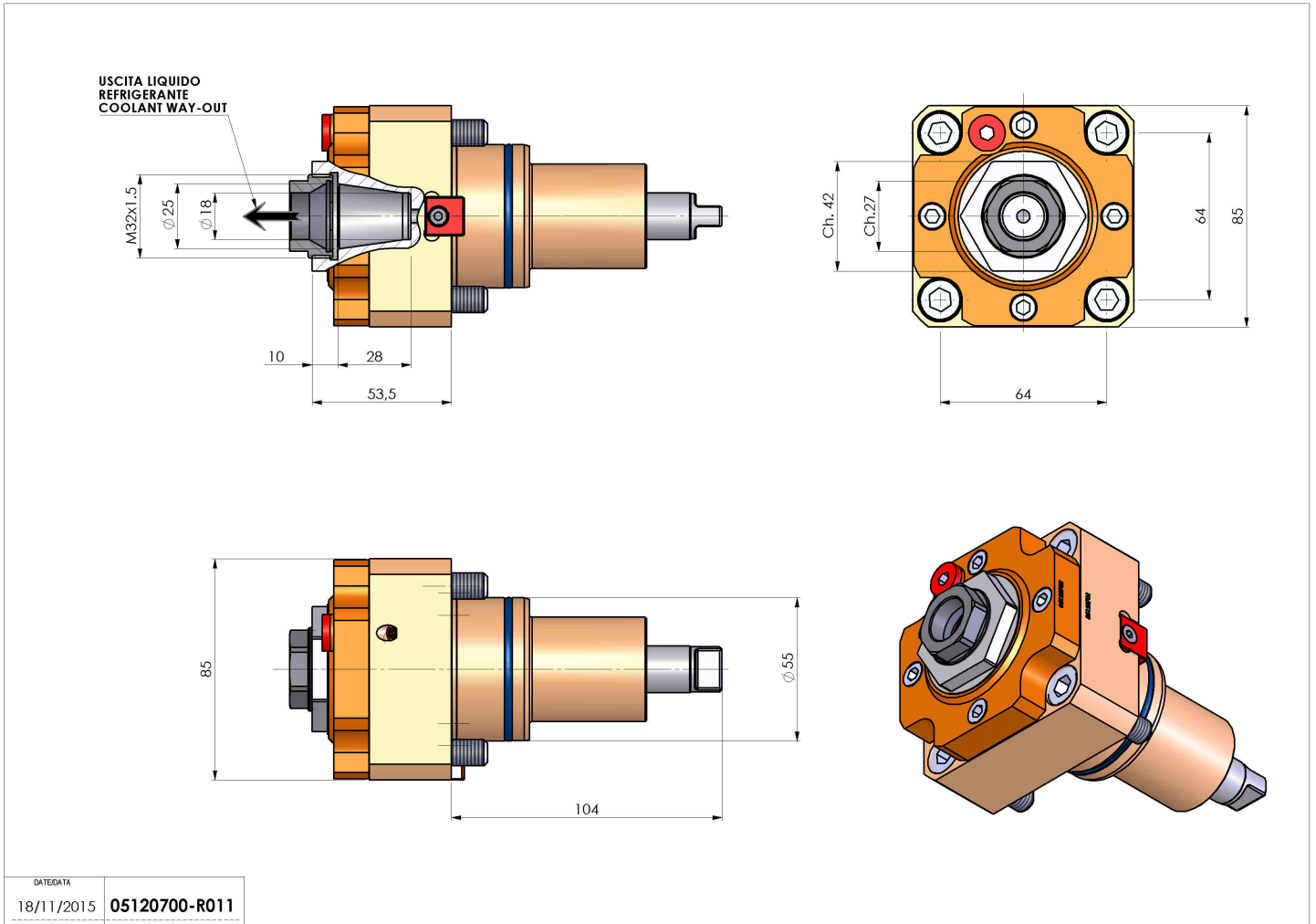


05120700 - LT-S BMT55 ER25F RF H53.5

Type	LT-S Tool holder straight
Mounting	BMT 55
Tool output	Collet nut ER 25 F - internal nut
Coolant	Internal coolant
Direction of rotation	r1 r2
Max speed [rpm]	6000
Max torque [Nm]	40
Ratio	1:1
H [mm]	53,5
Max pressure [bar]	20
Accessories	
Notes	N.A.
Mounting tips	N.A.



Always check live tool dimensions on the turret



DATE/DATE	18/11/2015
PART NUMBER	05120700-R011

Subject to technical changes