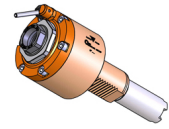


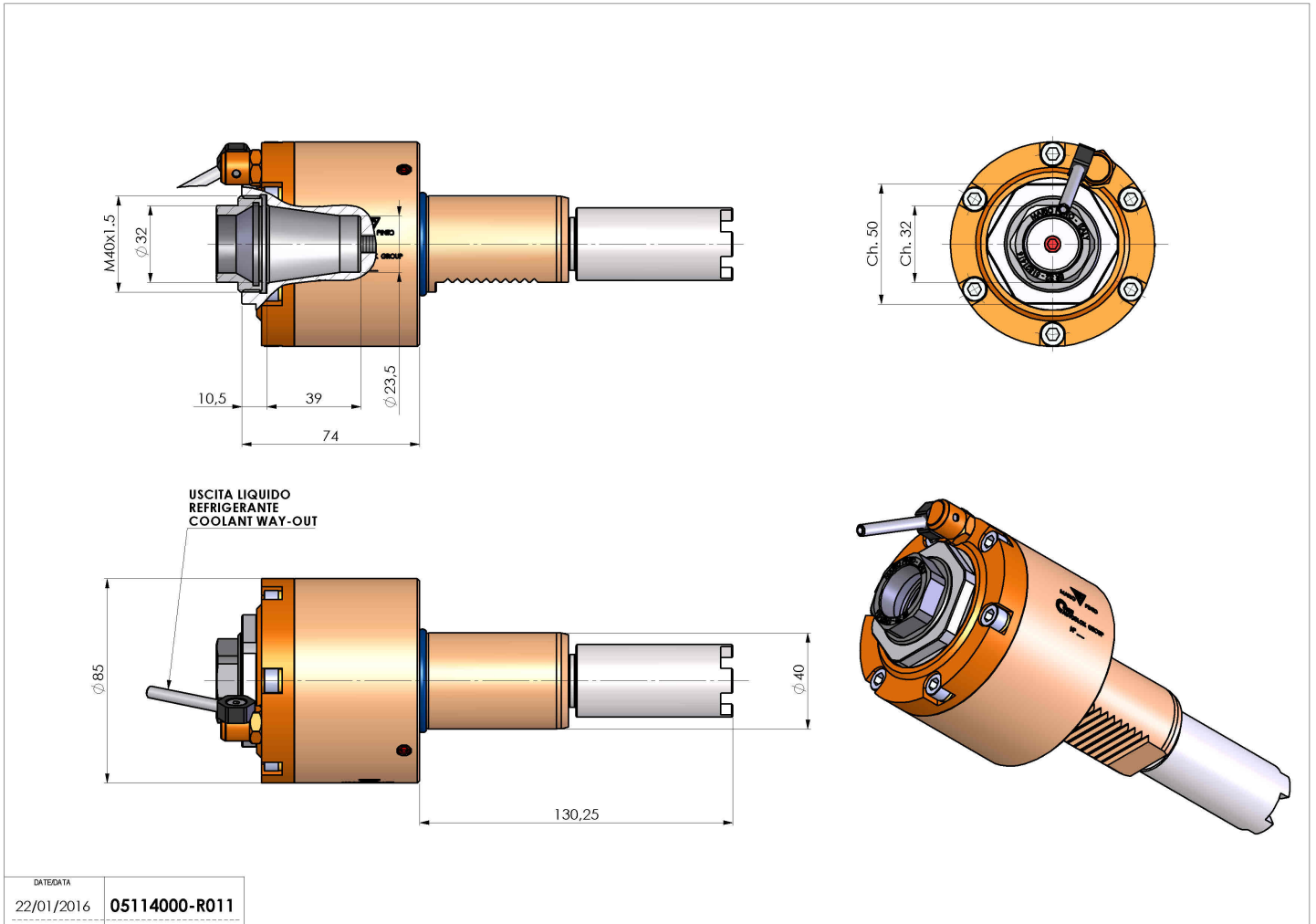
05114000 - LT-S VDI40 ER32F H74 130 HA

| | |
|------------------------------|-----------------------------------|
| Type | LT-S Tool holder straight |
| Mounting | VDI 40 |
| Tool output | Collet nut ER 32 F - internal nut |
| Coolant | External coolant |
| Direction of rotation | r1 r2 |
| Max speed [rpm] | 6000 |
| Max torque [Nm] | 63 |
| Ratio | 1:1 |
| H [mm] | 74 |
| Accessories | |
| Notes | N.A. |
| Mounting tips | N.A. |



ATTENTION: CHECK THE ORIENTATION OF THE VDI TEETH

Always check live tool dimensions on the turret



| | |
|-------------|---------------|
| DATE/DATE | 22/01/2016 |
| PART NUMBER | 05114000-R011 |

Subject to technical changes