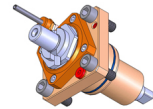
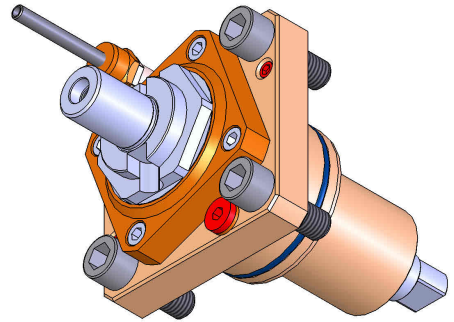
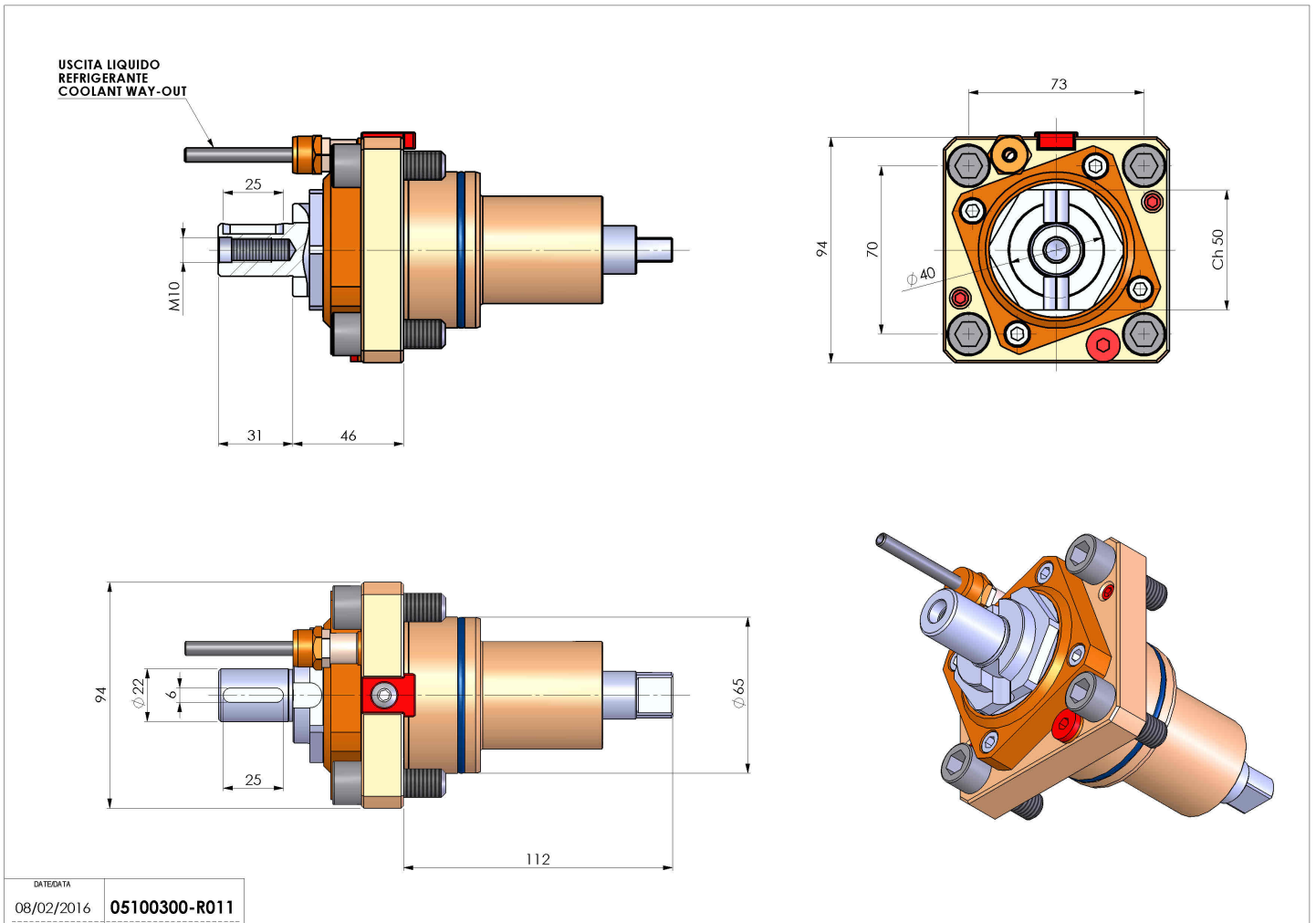


05100300 - LT-S BMT65 DIN138-22 H46 K-W

Type	LT-S Tool holder straight
Mounting	BMT 65
Tool output	Shell-Mill DIN138 22
Coolant	External coolant
Direction of rotation	r1 r2
Max speed [rpm]	6000
Max torque [Nm]	63
Ratio	1:1
H [mm]	46
Accessories	
Notes	N.A.
Mounting tips	N.A.



Always check live tool dimensions on the turret



Subject to technical changes

DATE/DATE: 08/02/2016 05100300-R011