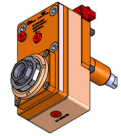
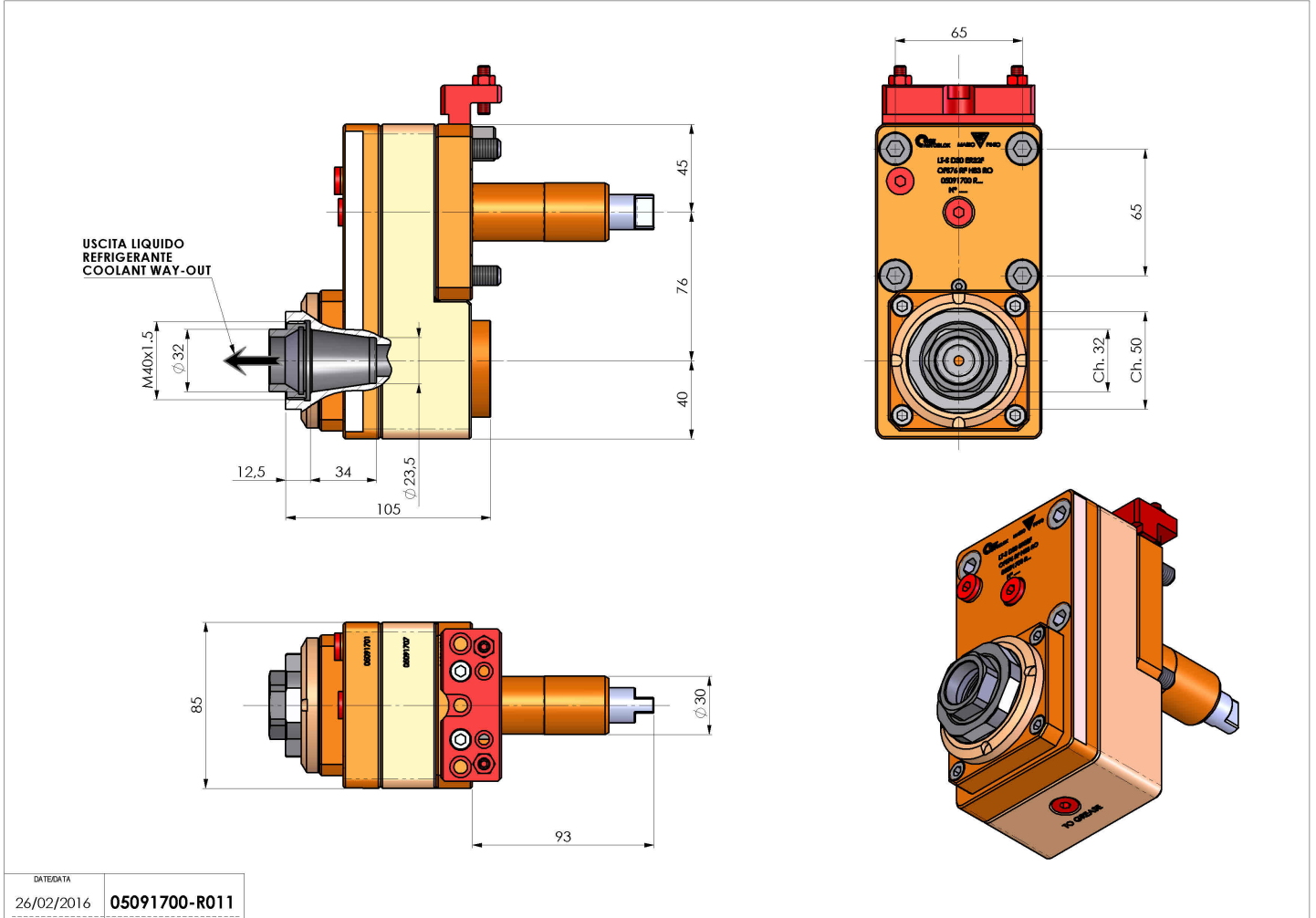


05091700 - LT-S D30 ER32F OFS76 RF H95 RO

Type	LT-S OFS Tool holder straight offset
Mounting	CYLINDRICAL SHANK 30
Tool output	Collet nut ER 32 F - internal nut
Coolant	Internal coolant
Offset [mm]	76
Direction of rotation	r1 r2
Max speed [rpm]	6000
Max torque [Nm]	50
Ratio	1:1
H [mm]	95,5
Max pressure [bar]	20
Accessories	N.A.
Notes	N.A.
Mounting tips	N.A.



Always check live tool dimensions on the turret



DATE/DATE	05091700-R011
26/02/2016	

Subject to technical changes