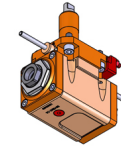
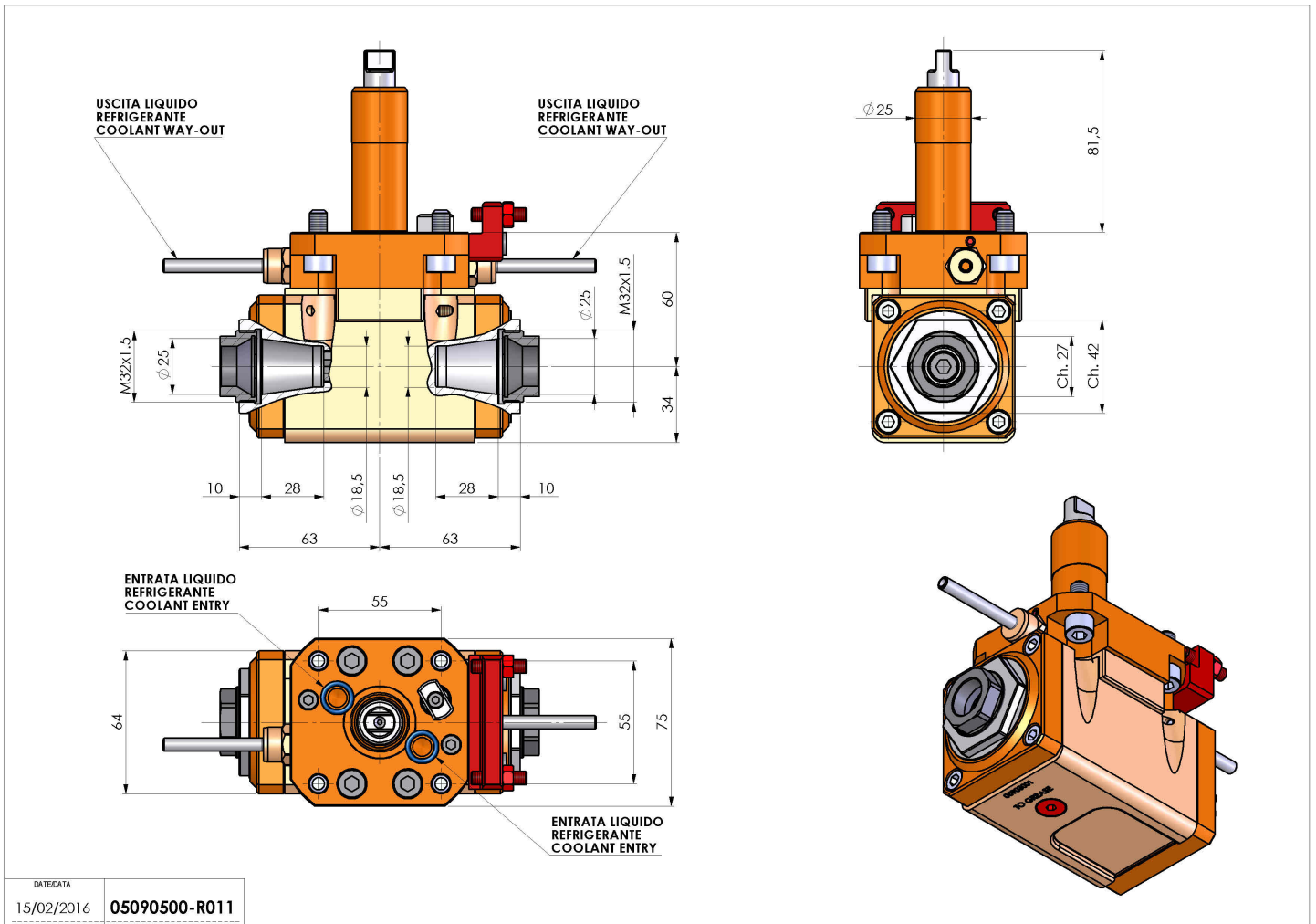


# 05090500 - LT-A D25 ER25F-25F L-R H60 RO

<b>Type</b>	LT-A DBL Tool holder double angle 90°
<b>Mounting</b>	CYLINDRICAL SHANK 25
<b>Tool output</b>	Collet nut ER 25 F - internal nut
<b>Coolant</b>	External coolant
<b>Direction of rotation</b>	r1 ↻ r2 ↻ r3 ↻
<b>Max speed [rpm]</b>	6000
<b>Max torque [Nm]</b>	40
<b>Ratio</b>	1:1
<b>H [mm]</b>	60
<b>H1 [mm]</b>	34
<b>Accessories</b>	N.A.
<b>Notes</b>	N.A.
<b>Mounting tips</b>	N.A.



Always check live tool dimensions on the turret



DATE/DATA  
15/02/2016 05090500-R011

Subject to technical changes