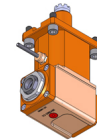
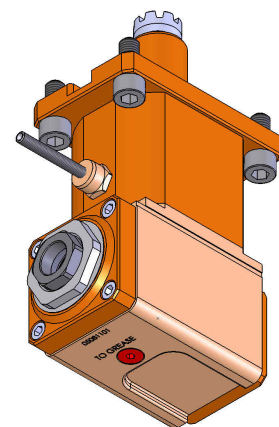
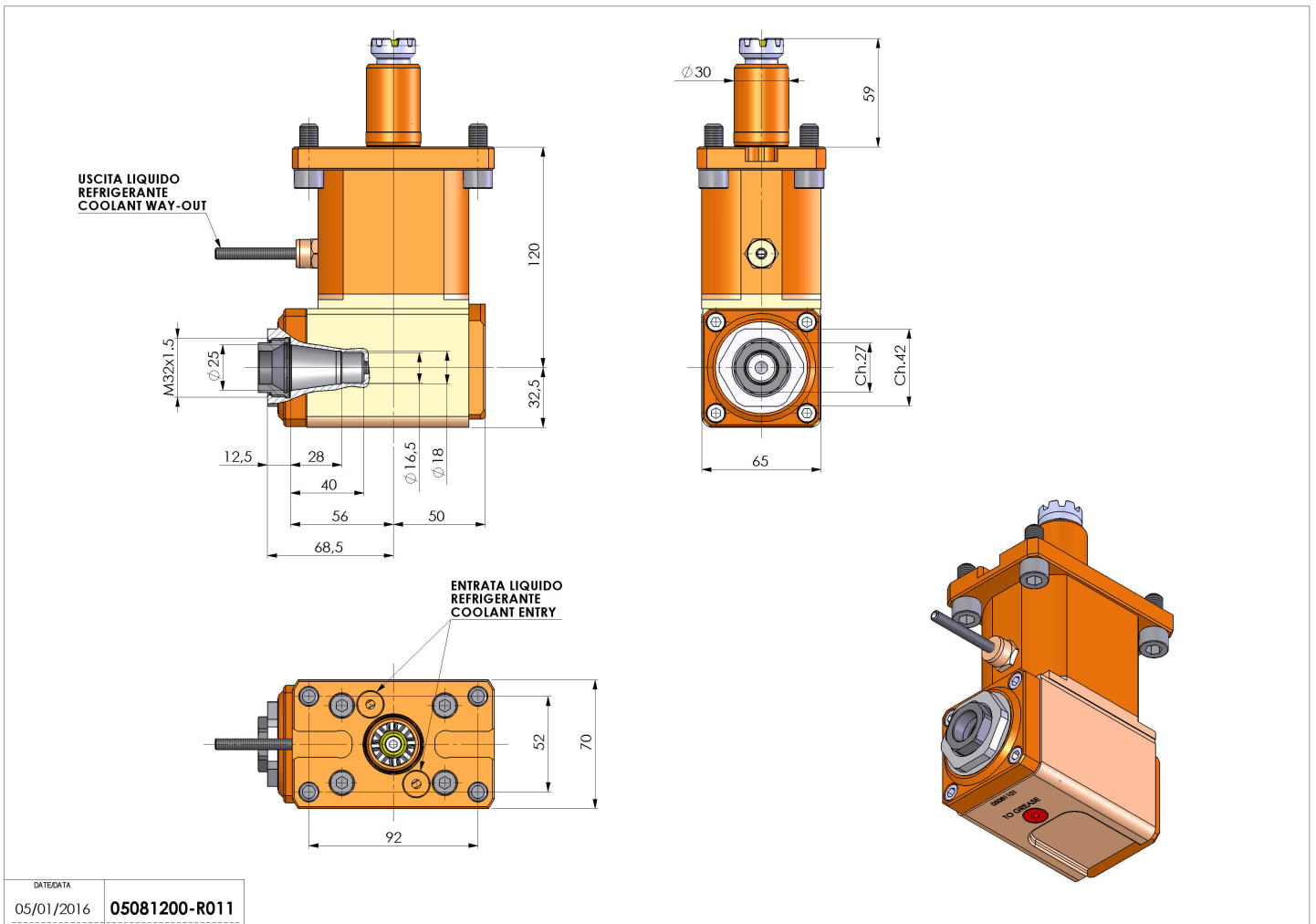


05081200 - LT-A D30 ER25-F L-R H120 AN

| | |
|------------------------------|-----------------------------------|
| Type | LT-A Tool holder angle 90° |
| Mounting | CYLINDRICAL SHANK 30 |
| Tool output | Collet nut ER 25 F - internal nut |
| Coolant | External coolant |
| Direction of rotation | r1 r2 |
| Max speed [rpm] | 6000 |
| Max torque [Nm] | 40 |
| Ratio | 1:1 |
| H [mm] | 120 |
| H1 [mm] | 32,5 |
| Accessories | N.A. |
| Notes | N.A. |
| Mounting tips | N.A. |



Always check live tool dimensions on the turret



| | | |
|-----------|------------|---------------|
| DATE/DATE | 05/01/2016 | 05081200-R011 |
|-----------|------------|---------------|

Subject to technical changes