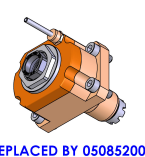


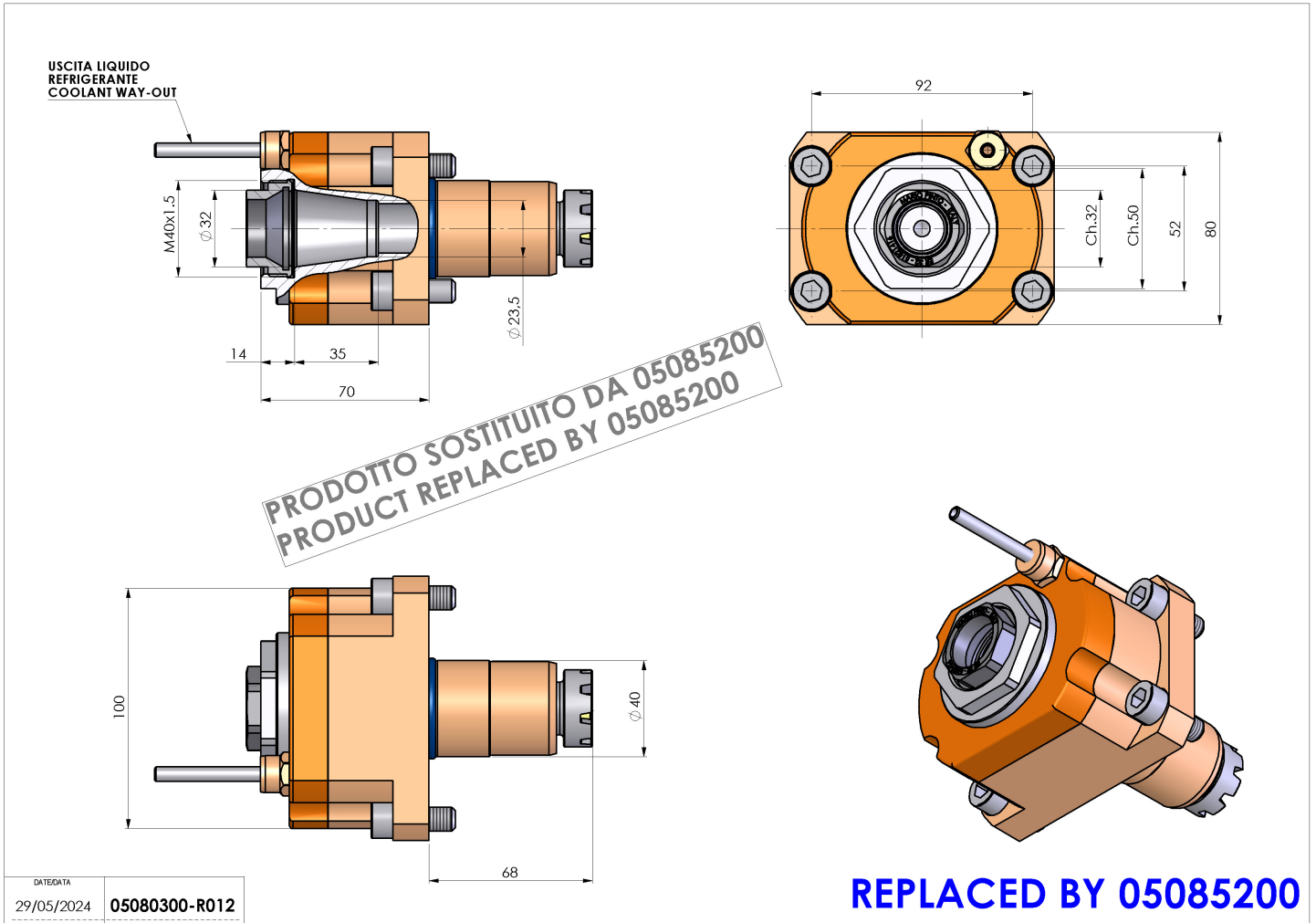
# 05080300 - LT-S D40 ER32F H70 AN

<b>Type</b>	LT-S Tool holder straight
<b>Mounting</b>	CYLINDRICAL SHANK 40
<b>Tool output</b>	Collet nut ER 32 F - internal nut
<b>Coolant</b>	External coolant
<b>Direction of rotation</b>	r1  r2
<b>Max speed [rpm]</b>	6000
<b>Max torque [Nm]</b>	63
<b>Ratio</b>	1:1
<b>H [mm]</b>	70
<b>Accessories</b>	
<b>Notes</b>	Soon out of stock. Replaced by cod. 05085200
<b>Mounting tips</b>	N.A.



REPLACED BY 05085200

Always check live tool dimensions on the turret



REPLACED BY 05085200

Subject to technical changes

DATE/ATA	05080300-R012
29/05/2024	