

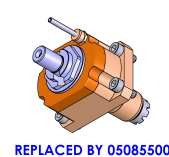


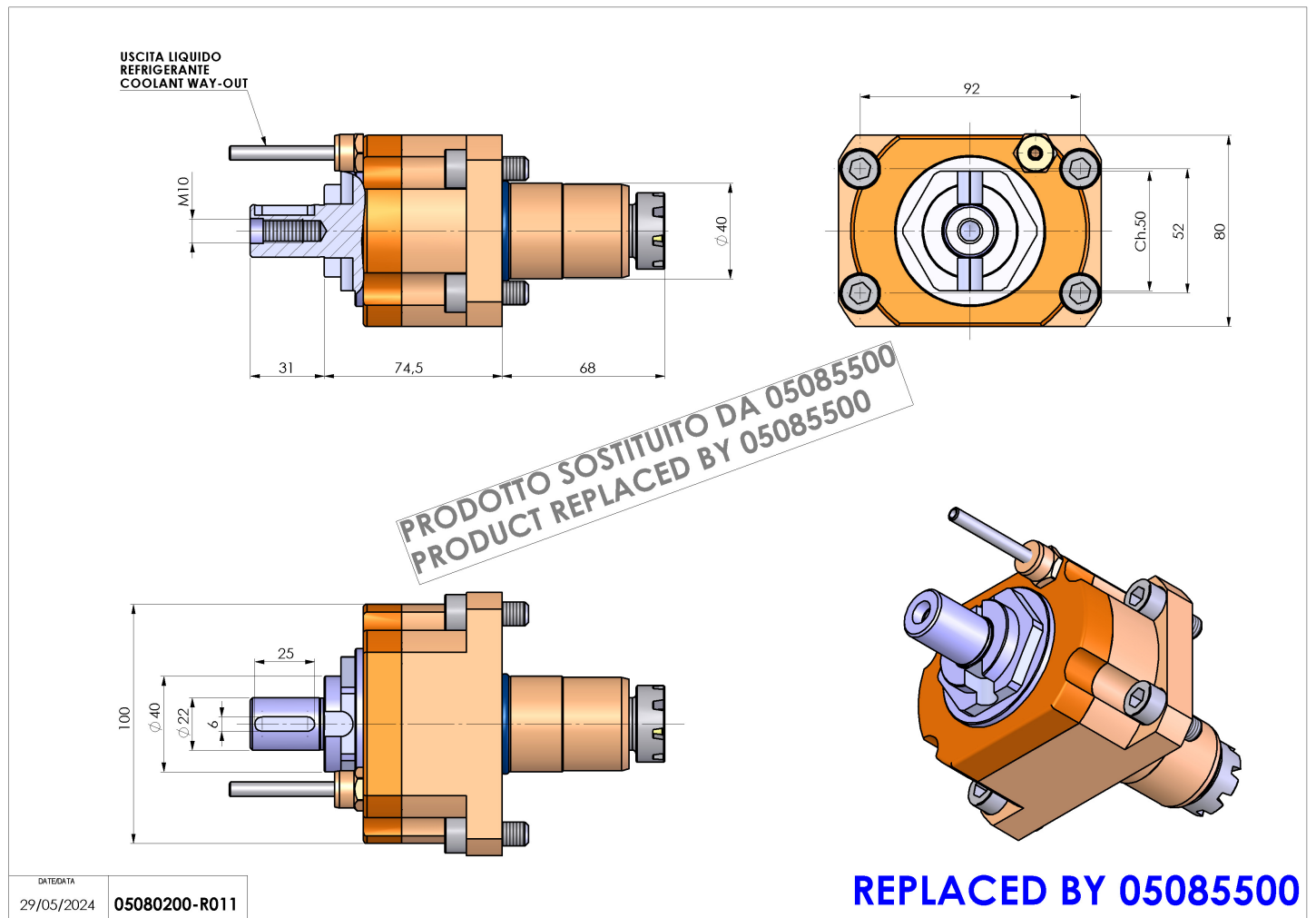
05080200 - LT-S D40 DIN138-22 H74 AN

Type	LT-S Tool holder straight
Mounting	CYLINDRICAL SHANK 40
Tool output	Shell-Mill DIN138 22
Coolant	External coolant
Direction of rotation	r1  r2 
Max speed [rpm]	6000
Max torque [Nm]	63
Ratio	1:1
H [mm]	74,5
Accessories	
Notes	Soon out of stock. Replaced by cod. 05085500
Mounting tips	N.A.



REPLACED BY 05085500

Always check live tool dimensions on the turret



Subject to technical changes