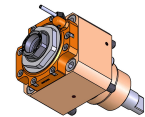
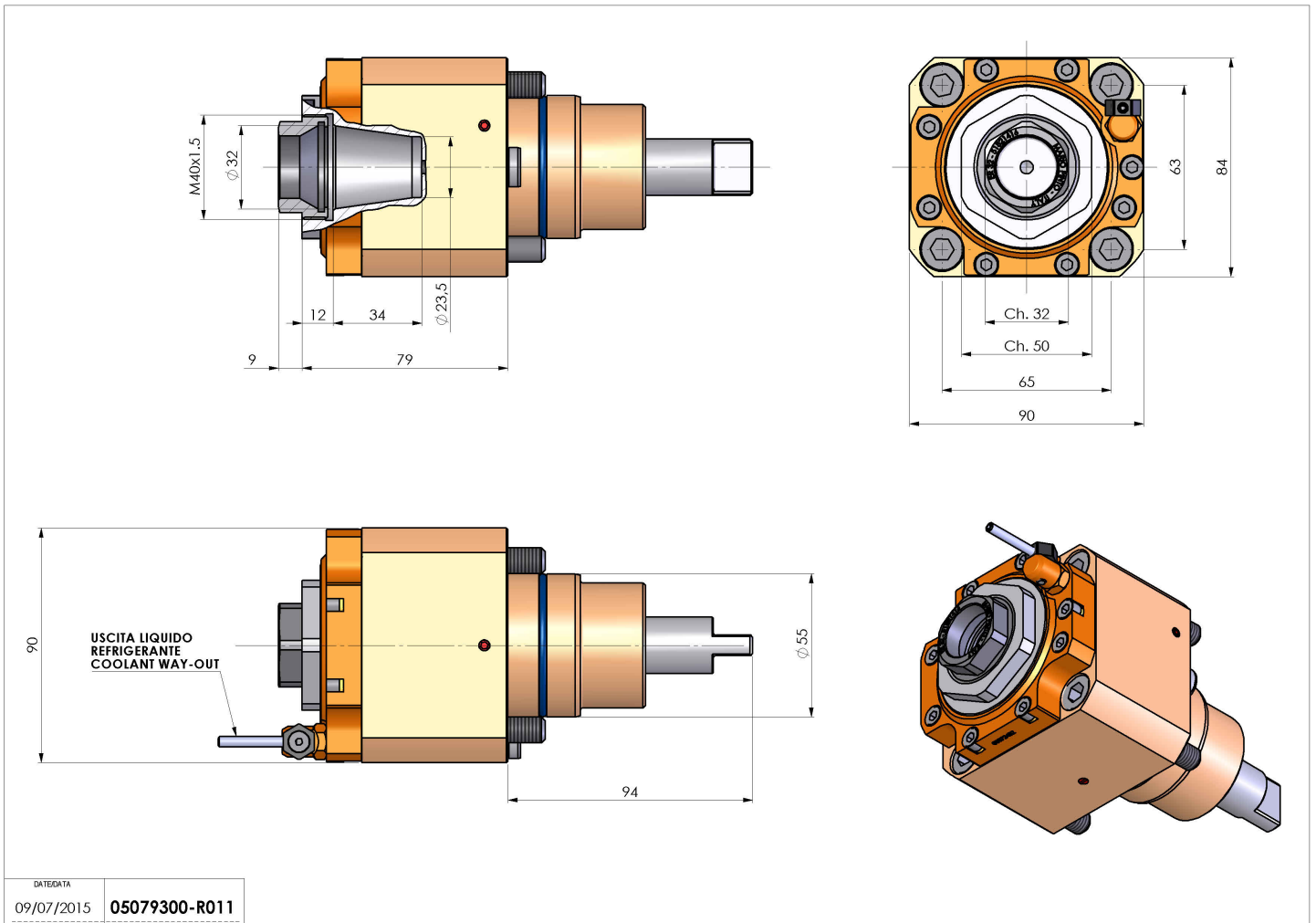


## 05079300 - LT-S D55 ER32F H75

|                              |                                   |
|------------------------------|-----------------------------------|
| <b>Type</b>                  | LT-S<br>Tool holder straight      |
| <b>Mounting</b>              | CYLINDRICAL SHANK 55              |
| <b>Tool output</b>           | Collet nut ER 32 F - internal nut |
| <b>Coolant</b>               | External coolant                  |
| <b>Direction of rotation</b> | r1  r2                            |
| <b>Max speed [rpm]</b>       | 6000                              |
| <b>Max torque [Nm]</b>       | 63                                |
| <b>Ratio</b>                 | 1:1                               |
| <b>H [mm]</b>                | 75                                |
| <b>Accessories</b>           | N.A.                              |
| <b>Notes</b>                 | N.A.                              |
| <b>Mounting tips</b>         | N.A.                              |



Always check live tool dimensions on the turret



|             |               |
|-------------|---------------|
| DATE/DATE   | 09/07/2015    |
| PART NUMBER | 05079300-R011 |

Subject to technical changes