

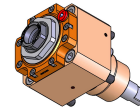
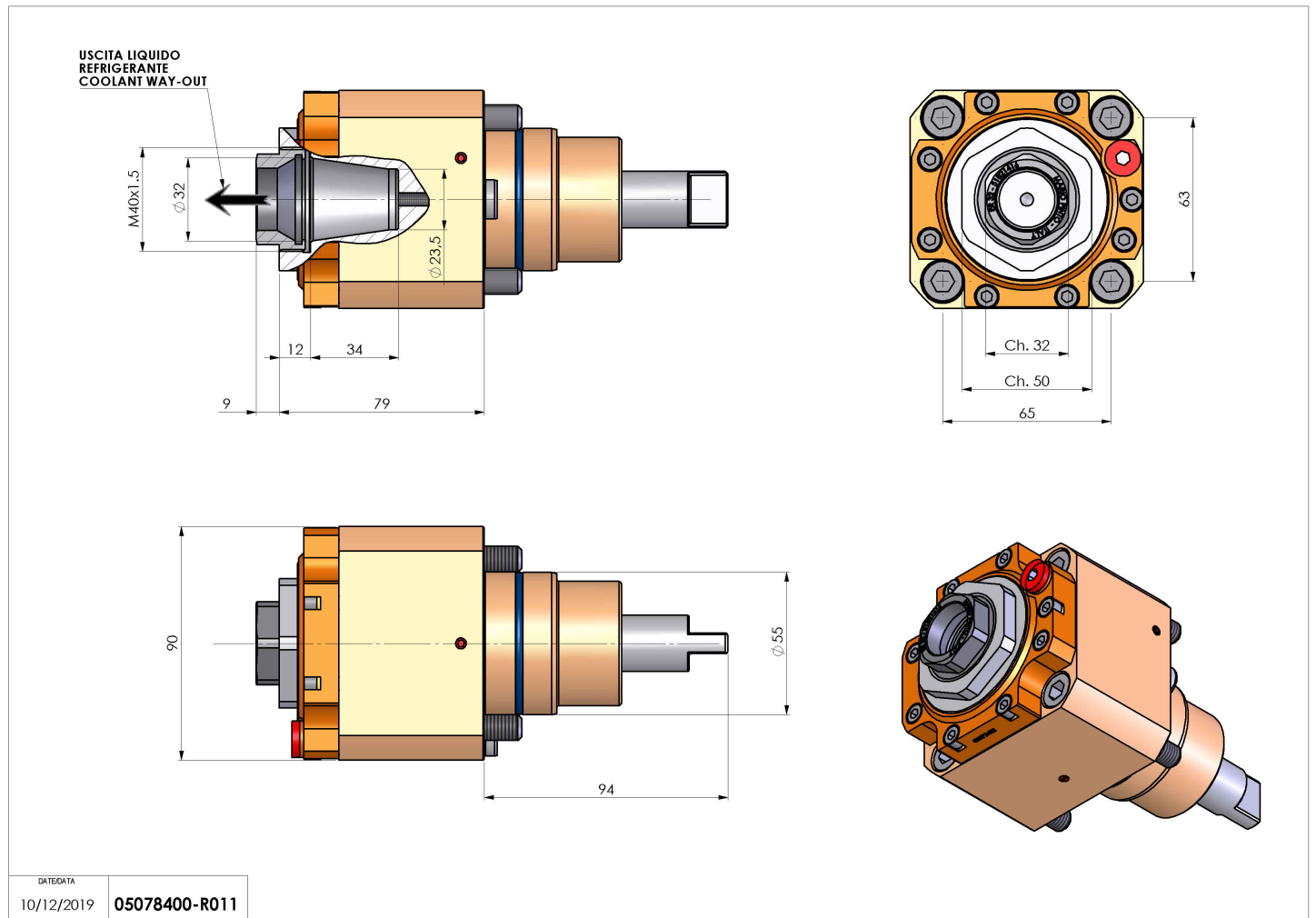


## 05078400 - LT-S D55 ER32F HRF H75

|                              |   |
|------------------------------|---|
| <b>Type</b>                  | LT-S<br>Tool holder straight  |
| <b>Mounting</b>              | CYLINDRICAL SHANK 55  |
| <b>Tool output</b>           | Collet nut ER 32 F - internal nut   |
| <b>Coolant</b>               | HRF Internal coolant  |
| <b>Direction of rotation</b> | r1  r2  |
| <b>Max speed [rpm]</b>       | 6000  |
| <b>Max torque [Nm]</b>       | 63  |
| <b>Ratio</b>                 | 1:1   |
| <b>H [mm]</b>                | 79  |
| <b>Max pressure [bar]</b>    | 70  |
| <b>Accessories</b>           | N.A.  |
| <b>Notes</b>                 | N.A.  |
| <b>Mounting tips</b>         | N.A.  |



Always check live tool dimensions on the turret



DATE/DATE  
10/12/2019 05078400-R011

Subject to technical changes