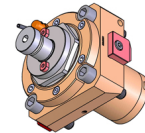
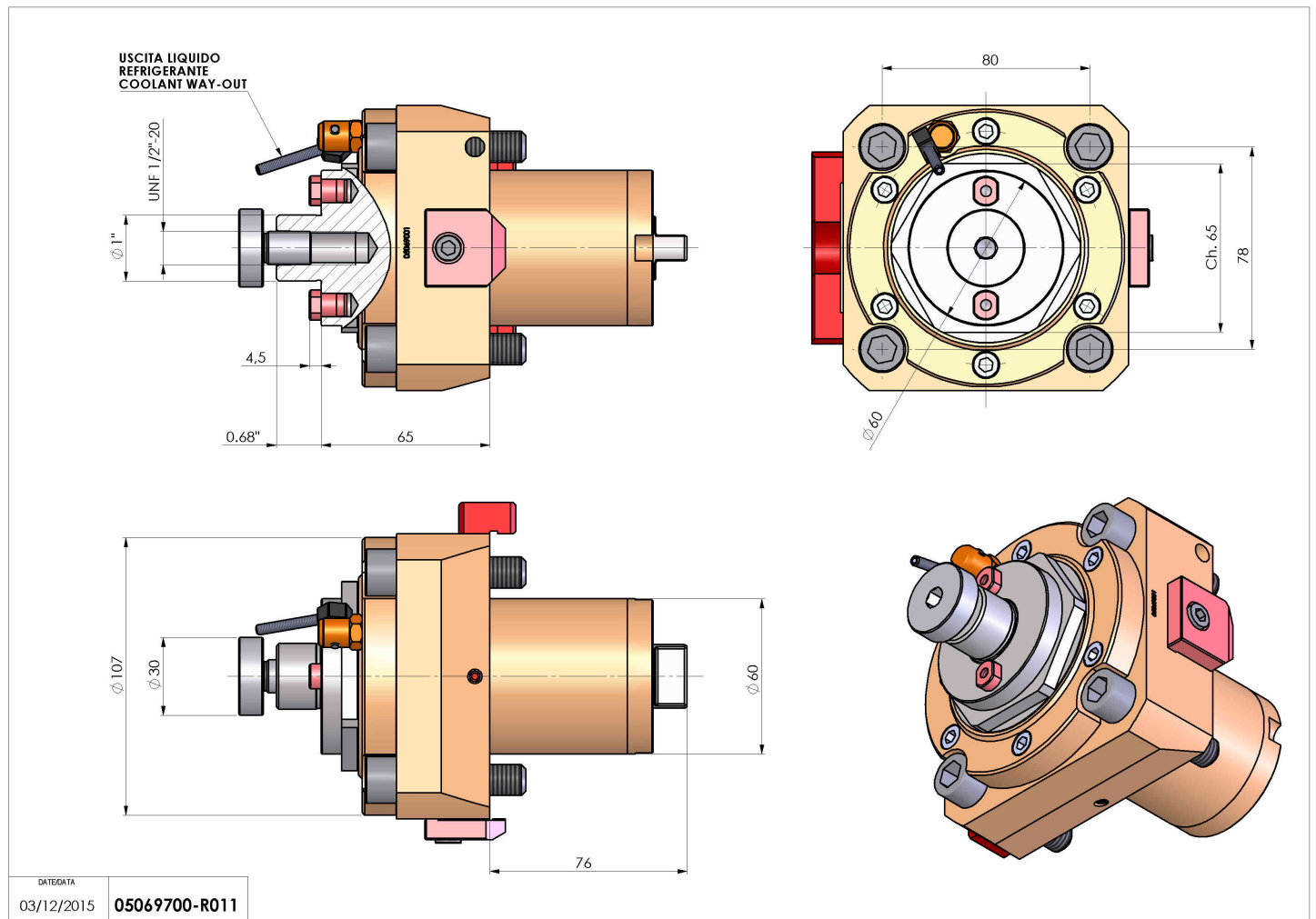


05069700 - LT-S D60 FRES D1.00 H65 OK

Type	LT-S Tool holder straight
Mounting	CYLINDRICAL SHANK 60
Tool output	Shell-Mill DIN138 25,4
Coolant	External coolant
Direction of rotation	r1 ↻ r2 ↻
Max speed [rpm]	6000
Max torque [Nm]	100
Ratio	1:1
H [mm]	65
Accessories	N.A.
Notes	N.A.
Mounting tips	N.A.



Always check live tool dimensions on the turret



DATE/DATE	03/12/2015
	05069700-R011

Subject to technical changes