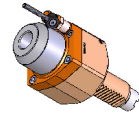


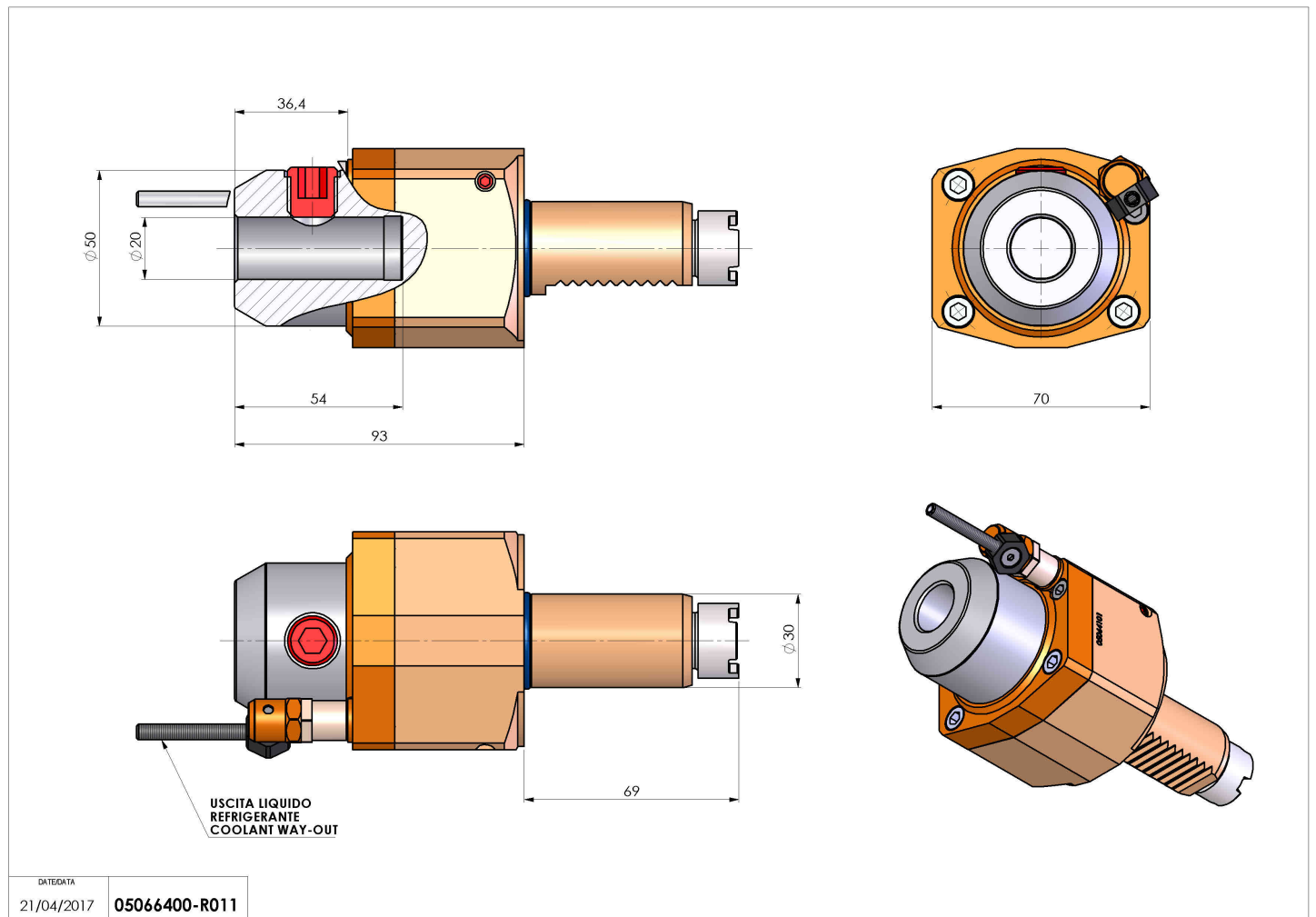
05066400 - LT-S VDI30 WLD20 H93 OK

Type	LT-S Tool holder straight
Mounting	VDI 30
Tool output	Weldon 20 DIN1835B
Coolant	External coolant
Direction of rotation	r1 ↻ r2 ↻
Max speed [rpm]	6000
Max torque [Nm]	40
Ratio	1:1
H [mm]	93
Accessories	
Notes	N.A.
Mounting tips	N.A.



ATTENTION: CHECK THE ORIENTATION OF THE VDI TEETH

Always check live tool dimensions on the turret



DATE/DATE	05066400-R011
21/04/2017	

Subject to technical changes