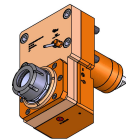
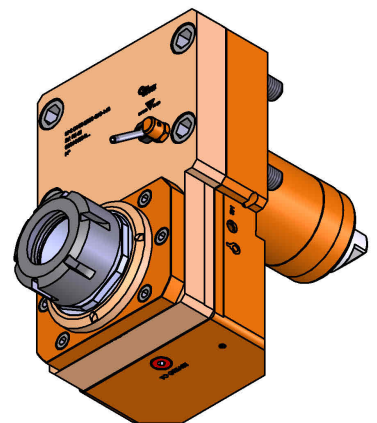
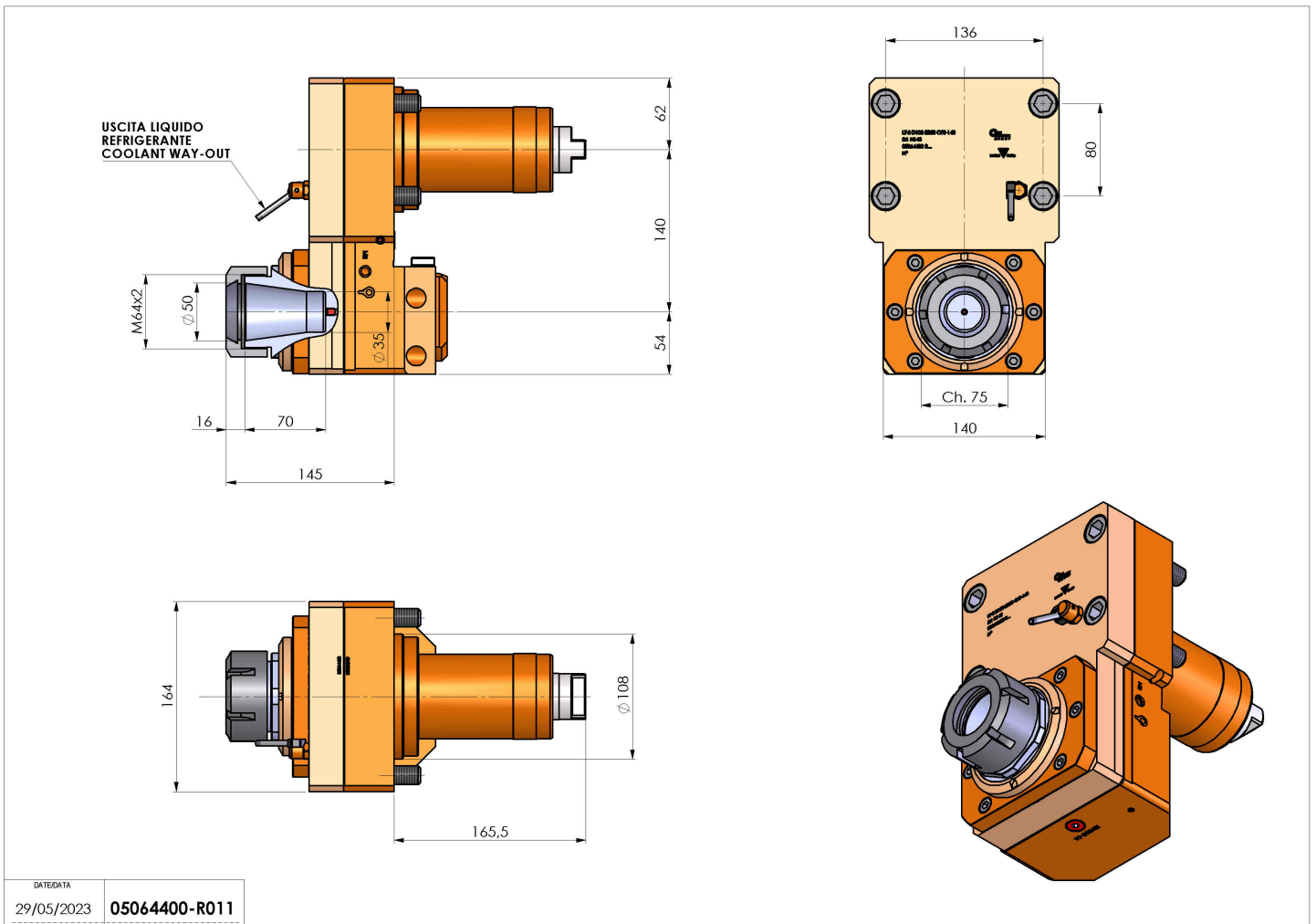


05064400 - LT-S D108 ER50 OFS-140 2:1 H145

Type	LT-S OFS Tool holder straight offset
Mounting	CYLINDRICAL SHANK 108
Tool output	Collet nut ER 50
Coolant	External coolant
Offset [mm]	140
Direction of rotation	r1 r2
Max speed [rpm]	in 3000 / out 1500
Max torque [Nm]	in 50 / out 100
Ratio	2:1
H [mm]	145
Accessories	N.A.
Notes	N.A.
Mounting tips	N.A.



Always check live tool dimensions on the turret



Subject to technical changes

DATE/DATE	05064400-R011
29/05/2023	