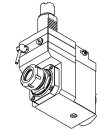


05061500 - LT-A VDI40 ER32 R H110 OK

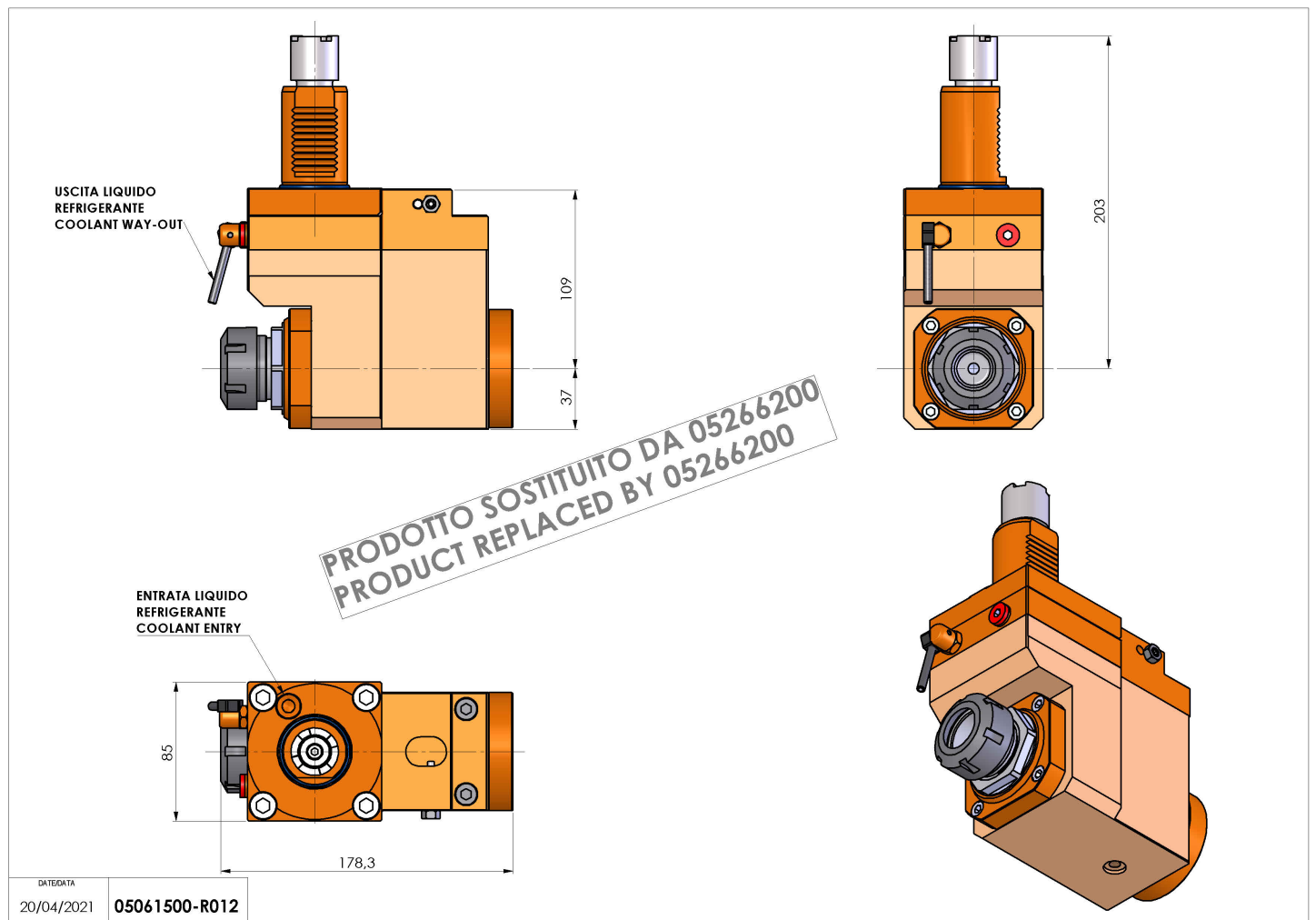
Type	LT-A Tool holder angle 90°
Mounting	VDI 40
Tool output	Collet nut ER 32
Coolant	External coolant
Direction of rotation	r1 ↻ r2 ↻
Max speed [rpm]	6000
Max torque [Nm]	63
Ratio	1:1
H [mm]	110
H1 [mm]	32,5
Accessories	N.A.
Notes	No more available. Soon out of stock
Mounting tips	N.A.



REPLACED BY 05266200

ATTENTION: CHECK THE ORIENTATION OF THE VDI TEETH

Always check live tool dimensions on the turret



DATE/DATE	05061500-R012
20/04/2021	

Subject to technical changes