

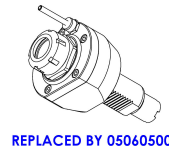


05061000 - LT-S VDI40 ER32 H81 OK

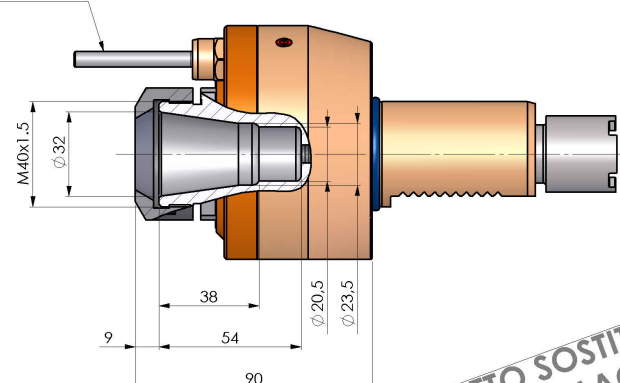
Type	LT-S Tool holder straight
Mounting	VDI 40
Tool output	Collet nut ER 32
Coolant	External coolant
Direction of rotation	r1  r2 
Max speed [rpm]	6000
Max torque [Nm]	63
Ratio	1:1
H [mm]	81
Accessories	
Notes	Replaced by cod. 05060500
Mounting tips	N.A.



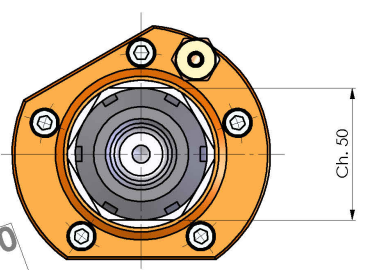
REPLACED BY 05060500

ATTENTION: CHECK THE ORIENTATION OF THE VDI TEETH

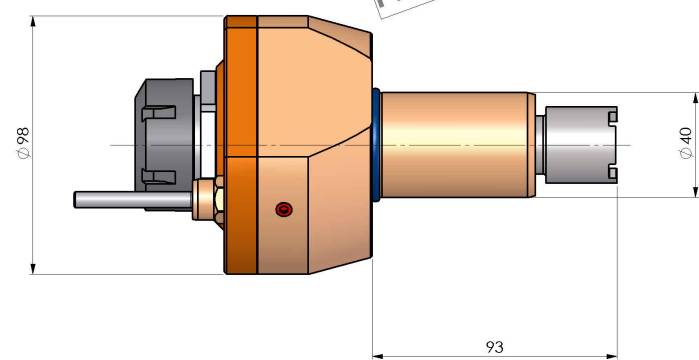
Always check live tool dimensions on the turret

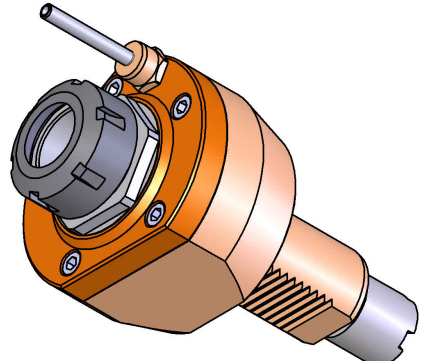


USCITA LIQUIDO REFRIGERANTE COOLANT WAY-OUT



PRODOTTO SOSTITUITO DA 05060500
PRODUCT REPLACED BY 05060500





DATE/DATE

09/06/2020

05061000-R011

Subject to technical changes